



DMM9000BT

User Manual / MANUAL DEL USUARIO /
Manuel d'utilisation / Benutzerhandbuch /
Manuale Utente



- EN High-Performance True-RMS Industrial Logging Multimeter
- ES Multímetro de registro industrial de RMS real de alto rendimiento
- FR Multimètre d'enregistrement industriel TRMS haute performance
- DE Leistungsstarkes True-RMS-Industriemultimeter
- IT Multimetro Industriale a Registrazione Vero RMS a Prestazioni Elevate

Safety Information

Understand and follow operating instructions carefully. Use the meter only as specified in this manual; otherwise, the protection provided by the meter may be impaired.

WARNING

This identifies hazardous conditions and actions that could cause BODILY HARM or DEATH. To avoid possible danger, follow below guidelines.

- Use the meter only as specified in this manual or the protection by the meter might be impaired.
- Never operate the meter with the cover removed or the case open.
- To avoid false readings that can lead to electric shock and injury, replace battery as soon as low battery indicator.
- Use caution with voltages above 30VAC rms, 42VAC peak, or ± 30 VDC. These voltages pose a shock hazard.
- When using test leads or probes, keep your fingers behind the finger guards.
- Remove test lead from meter before opening the battery door or meter case.
- Always use proper terminals, switch position, and range for measurements.
- Do not apply more than the rated voltage, as marked on meter, between terminals or between any terminal and earth ground.
- Do not use the High Frequency Rejection (Low Pass Filter) option to verify the presence of hazardous voltages. Voltages greater than what is indicated may be present. First, make a voltage measurement without the filter to detect the possible presence of hazardous voltage. Then select the filter function.
- To avoid possible electric shock or personal injury, never attempt an in-circuit current measurement where the open circuit potential to earth is greater than 1000V.
- Replace the fuse as soon as the indicator (FUSE) appears.
- Only replace the blown fuse with the proper rating as specified in this manual.
- Do not use the meter around explosive gas, vapor or dust.
- To reduce the risk of fire or electric shock do not expose this product to rain or moisture.







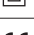




-
- **Do not attempt a current measurement when the open voltage is above the fuse protection rating. Suspected open voltage can be checked with voltage function.**
 - **Never attempt a voltage measurement with the test lead inserted into the A input terminal.**

CAUTION

This identifies conditions and actions that could DAMAGE the meter or equipment under test. To avoid possible damage, follow below guidelines.

- Disconnect the test leads from the test points before changing the position of the function rotary switch.
- Disconnect circuit power and discharge all high-voltage capacitors before testing resistance, continuity, diodes, or capacitance.
- Always use proper terminals, switch position, and range for measurements.
- Do not use the LoZ mode to measure voltages in circuits that could be damaged by this mode's low impedance.
- Replace the fuse as soon as the indicator (FUSE) appears.
- Never connect a source of voltage with the function rotary switch in resistance, diode, continuity, and capacitance position.
- Never set the meter in current function to measure the voltage of a power supply circuit in equipment that could result in damage the meter and the equipment under test.

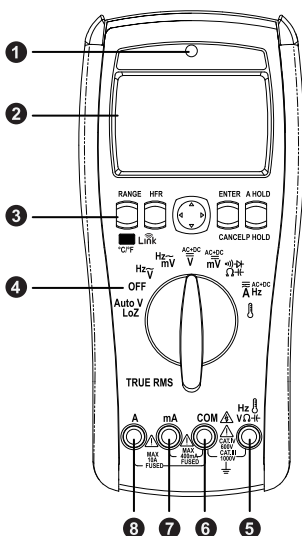
Electrical Symbols

	Hazardous voltage		Risk of danger. Important information. See manual
	AC (Alternating Current)		
	DC (Direct Current)		Fuse
	Bluetooth		Double insulated
	Low battery		Conforms to European Union directives
	Earth ground		Do not discard this product or throw away
CAT III CAT IV	<p>IEC Overvoltage Category</p> <p>CAT III equipment is designed to protect against transients in equipment in fixed equipment installations, such as distribution panels, feeders and short branch circuits, and lighting systems in large buildings.</p> <p>CAT IV equipment is designed to protect against transients from the primary supply level, such as an electricity meter or an overhead or underground utility service.</p>		

Error Message

ProbE	Test probe alert. Displayed when the test probes are in the A or mA terminal and the selected rotary switch position does not correspond to the terminal being used.
FUSE	Fuse broke. Replace fuse as soon.
Er	Meter error. Have meter serviced.


The Meter Description



Front panel illustration :

1. Auto backlight sense point
2. 40,000 count dual display
3. Push buttons
4. Rotary switch
5. Input terminal for voltage, frequency, resistance, continuity, diode, capacitance and temperature measurements.
6. Return terminal for all measurements.
7. Input terminal for 0 to 400mA current measurements.
8. Input terminal for 0 to 10A current measurements.

Push Buttons

Function (Red)	Select measurement function.
RANGE	Select measurement range. Press > 1 sec to enter auto range mode.
HFR	Enable/Disable the High Frequency Reject mode in the AC measurements.
	Enable/Disable the Bluetooth mode.
A-HOLD	Enable/Disable the Auto-Hold mode.
P-HOLD	Enable the Peak-Hold mode in the AC or DC measurements. In this mode, press button to select Peak-Hold MAX or MIN. Press > 1 sec to disable the Peak-Hold mode.
ENTER	Enter menu function in pointer position.
CANCEL	Cancel current menu function.

Power On Options

When turn the power on, press the function button to execute the below options.

ENTER	Display the firmware version.
A-HOLD	Display all LCD segments.

Making Basic Measurements

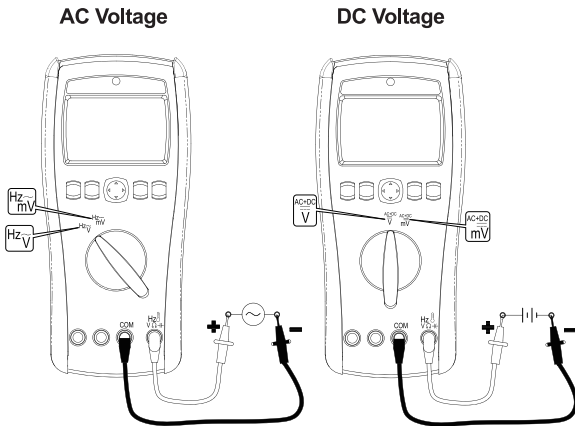


- When connecting the test leads to the DUT (Device Under Test), connect the common test lead before connecting the live lead. When removing the test leads, remove the test live lead before removing the common test lead.
- The following sections describe how to take measurements with the meter.

Making Basic Measurements

This meter have true rms readings, which are accurate for distorted sine waves and other waveforms (with no dc offset) such as square waves, triangle waves, and staircase waves.

The ranges of measuring voltage are 40mV, 400mV, 4V, 40V, 400V and 1000V. To select the mV range, turn the rotary switch to mV position.



For best accuracy when measuring the DCmV, touch the probe tips together and read the DC offset. If necessary, you can use the relative (Δ) mode to automatically subtract this value.

Make dB measurement

The meter is capable of displaying voltage as a dB value, either relative to 1 milliwatt (dBm), a reference voltage of 1 volt (dB).

A dBm measurement must use a reference impedance (600 Ω) to calculate a dB value based on 1 milliwatt. A dB measurement uses a 1 volt reference voltage to compare the present measurement against. Define as below :

$$dBm = 20 \log \left(\frac{V_{rms}}{\sqrt{600\Omega \times 1mW}} \right)$$

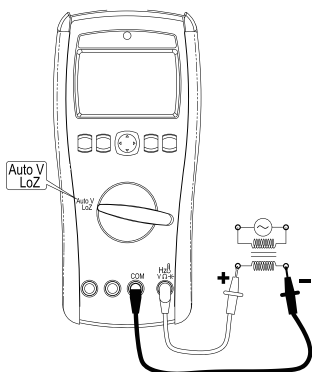
$$dBm = 20 \log \left(\frac{V_{rms}}{1V} \right)$$

To use dB or dBm function, turn the rotary switch to ACV or ACmV position. Then move the blink cursor of menu to dB or dBm position, and press the ENTER button to enter function. Press the CANCEL button to exit function.

Measuring Voltage in LoZ Mode

⚠ CAUTION

Do not use the LoZ mode to measure voltages in circuits that could be damaged by this mode's low impedance.



To eliminate ghost voltages, the meter's LoZ mode presents a low impedance across the leads to obtain a more accurate measurement. The ranges of measuring LoZ voltage are 400V and 1000V. In this mode, meter will automatic measure input signal which is AC or DC and determine range.

To use the LoZ mode, turn the rotary switch to LoZ position. turn the rotary switch to mV position.

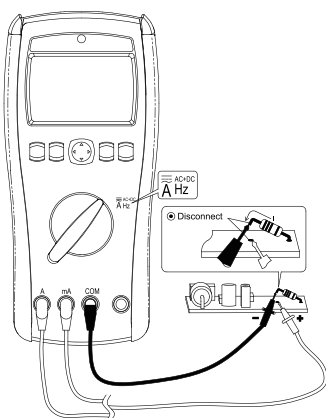
Measuring AC and DC Current

⚡ ⚠ WARNING

- Always use proper terminals, switch position, and range for measurements.
- To avoid possible electric shock or personal injury, never attempt an in-circuit current measurement where the open circuit potential to earth is greater than 1000V.
- Only replace the blown fuse with the proper rating as specified in this manual.

⚠ CAUTION

- Replace the fuse as soon as the indicator (FUSE) appears.



To measure current, you must break the circuit under test, then place the meter in series with the circuit.

The ranges of measuring current are 40mA, 400mA, 4A and 10A. AC current is displayed as an rms value. Insert the black lead into the COM terminal. For currents less than 400 mA, insert the red lead into the mA terminal. For currents above 400 mA, insert the red lead into the A terminal.

You can press the function (red) button to select current measurement function.

Measuring Frequency

The meter measures the frequency of a voltage or current signal by counting the number of times the signal crosses a threshold level each second.

This function only can be operated in AC voltage and current measurements. The ranges of measuring frequency are 400Hz, 4kHz, 40kHz and 100kHz.

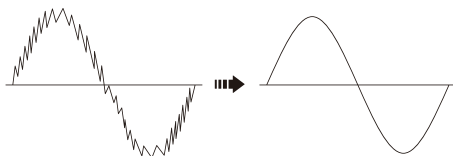
If a reading shows as 0 Hz or is unstable, the input signal may be below or near the trigger level. The detail of frequency trigger level refer to the electrical specifications.

To use the frequency function, press function (red) button to select measurement function.

Make High Frequency Rejection Measurement



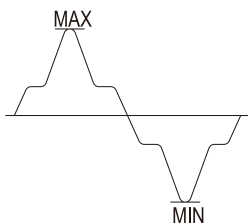
Do not use the High Frequency Rejection (Low Pass Filter) option to verify the presence of hazardous voltages. Voltages greater than what is indicated may be present. First, make a voltage measurement without the filter to detect the possible presence of hazardous voltage. Then select the filter function.



The High Frequency Rejection mode equip a low pass filter in the AC measurements. The cut-off frequency (-3dB point) of low pass filter is 800Hz. To use the HFR mode, press the HFR button to equip a low pass filter in the AC measurements.

Make Peak-Hold Measurement

The Peak-Hold mode records wave peak maximum and minimum input values. Response time of Peak-Hold is 10us.



To use the Peak-Hold mode, press the P-HOLD button to enable the Peak-Hold mode in the AC or DC measurements. In this mode, press P-HOLD button to select peak MAX or MIN value. Press > 1 sec to disable the Peak-Hold mode.

For square wave, use the peak-hold mode in the DC measurements.

Make AC+DC Measurement

When input signal is ac and dc combinations: AC over DC or DC over AC, the meter is capable of displaying one AC+DC (rms) value combined. Define as below :

$$(AC + DC) V_{rms} = \sqrt{ACV^2 + DCV^2}$$

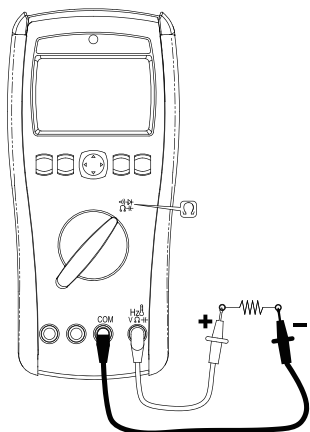
$$(AC + DC) A_{rms} = \sqrt{ACA^2 + DCA^2}$$

To use the AC+DC function, turn rotary switch stop in DCV, DCmV or A position, then press function (red) button to select measurement function.

Measuring Resistance

⚠ CAUTION

To avoid possible damage to the meter or to the equipment under test, disconnect circuit power and discharge all high voltage capacitors before measuring resistance.



The ranges of measuring resistance are 400Ω, 4kΩ, 40kΩ, 400kΩ, 4MΩ, and 40MΩ.

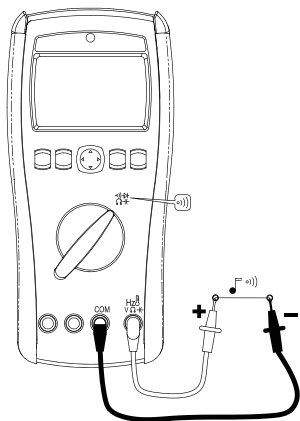
The test leads may add 0.1Ω to 0.2Ω of error to resistance measurements. To test the leads, touch the probe tips together and read the resistance of the leads. For best accuracy, you can use the relative (Δ) mode to automatically subtract this value.

High-resistance (>10MΩ) readings are susceptible to electrical noise. To smooth out most noisy readings, enter the MAX/MIN recording mode; then step to the average (AVG) reading.

Continuity Check

⚠ CAUTION

To avoid possible damage to the meter or to the equipment under test, disconnect circuit power and discharge all high voltage capacitors before testing continuity.



The continuity check features a buzzer that sounds as long as a circuit is complete. The buzzer allows you to quick continuity checks without watching the display.

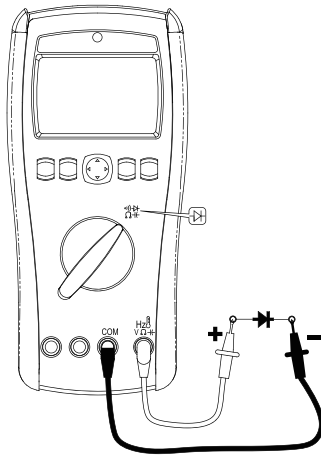
When measuring resistance is less than threshold, the buzzer sounds. You can setup the threshold in setup mode. The continuity threshold is default 30Ω.

To use continuity check, turn the rotary switch to resistance position, then press the function (red) button to select measuring mode.

Testing Diodes

⚠ CAUTION

To avoid possible damage to the meter or to the equipment under test, disconnect circuit power and discharge all highvoltage capacitors before testing diodes.



Use the diode function to check diodes, transistors, silicon controlled rectifiers (SCRs), and other semiconductor devices. This function tests a semiconductor junction by sending a current through the junction, then measuring the junction's voltage drop. A good silicon junction drops between 0.5V and 0.8V.

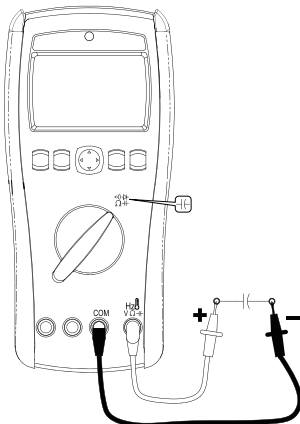
For forward-bias readings on any semiconductor component, place the red test lead on the component's positive terminal and place the black lead on the component's negative terminal. In a circuit, a good diode should still produce a forward-bias reading of 0.5V to 0.8V.

To use diode function, turn the rotary switch to resistance position, then press the function (red) button to select measuring mode.

Measuring Capacitance

⚠ CAUTION

To avoid possible damage to the meter or to the equipment under test, disconnect circuit power and discharge all highvoltage capacitors before measuring capacitance. Use the dc voltage function to confirm that the capacitor is discharged.

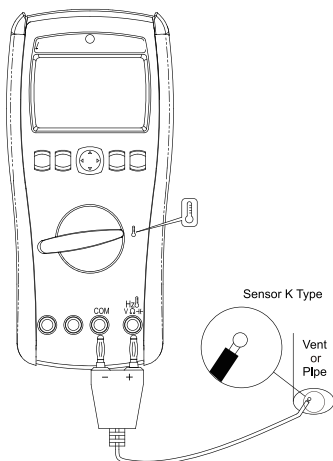


The ranges of measuring capacitance are 40nF, 400nF, 4μF, 40μF, 400μF, 4mF and 40mF.

To improve the accuracy of measurements less than 1000nF, you can use the relative (Δ) mode to subtract the residual capacitance of the leads.

To use capacitance measurement, turn the rotary switch to resistance position, then press the function (red) button to select measuring mode.

Measuring Temperature



The meter measures the temperature of a K-Type thermocouple. You can press the function (red) button to choose degrees Celsius ($^{\circ}\text{C}$) or degrees Fahrenheit ($^{\circ}\text{F}$).

Display ranges are -200°C to $+1200^{\circ}\text{C}$ and -328°F to $+2192^{\circ}\text{F}$. Readings outside of these ranges show "OL" on the display. When there is no thermocouple connected, the display also shows "OL".

To use temperature measurement, turn the rotary switch to temperature position, then press the function (red) button to select measuring mode.

Auto-Hold

When measuring, you can press the A-HOLD button to start the Auto-Hold mode. In this mode, the meter holds reading and shows it on the secondary display.

If the difference between new reading and hold reading is bigger than 5d ($3\frac{3}{4}$ -digit mode), and new reading is also stable, then meter automatically holds a new reading on the secondary display.

When reading is smaller than Auto-Hold limit, or reading is OL, the Auto-Hold mode is not working.

Function	Limit
V, A, LoZ, Hz, Cap	1% of range
Others	No limit

To exit Auto-Hold mode, press the A-HOLD button again. If you don't want to use the Auto-Hold mode, you can disable it in the setup mode. When Auto-Hold mode is disable, the hold mode is not update any new reading.

Maximum / Minimum Record

When measuring, you can record the maximum, minimum and average value of reading.

To use maximum / minimum record mode, move the blink cursor of menu to MAX, MIN or AVG position, and press the ENTER button to enter mode. In this mode, the meter records each data to compare the maximum and minimum value. Also, meter calculate the average of reading.

You can move the blink cursor of menu to MAX, MIN or AVG position, and press the ENTER button to select result on the secondary display.

When maximum / minimum record mode running, if you wants to pause recording, press the A-HOLD button. Press again to continue.

To exit maximum / minimum record mode, press the CANCEL button.

Relative Δ

When measuring, you can use the relative (Δ) mode to subtract the offset.

To use relative (Δ) mode, move the blink cursor of menu to Δ position, and press the ENTER button to enter mode. In this mode, meter records the presently reading as reference and shows it on the secondary display. The relative (Δ) mode subtract reference from each reading, and shows result on the main display.

In relative (Δ) mode, the minimum range is relative (Δ) range. For example: The ranges of measuring resistance are 400Ω, 4kΩ, 40kΩ, 400kΩ, 4MΩ, and 40MΩ. If you use the relative (Δ) mode in 4kΩ range, then the minimum range is the 4kΩ range. You can use range is 4kΩ to 40MΩ, cannot change to 400Ω.

To exit relative (Δ) mode, press the CANCEL button.

Relative %

When measuring, you can use the relative (%) mode to calculate the relative percent value. The relative percent value is define as below:

$$\text{Relative \%} = [(\text{Reading} - \text{Ref}) \div \text{Ref}] \times 100.0\%$$

To use relative (%) mode, move the blink cursor of menu to % position, and press the ENTER button to enter mode. In this mode, meter records the presently reading as reference and shows it on the secondary display. The relative (%) mode calculate the relative percent value from each reading, and shows result on the main display.

To exit relative (%) mode, press the CANCEL button.

Memory Save / Load

When measuring, you can save the reading to memory and load it from memory. The meter can store maximum 1000 data in memory. The recorded data amount shows on the secondary display.

To use memory save / load mode, move the blink cursor of menu to MEM position, and press the ENTER button to enter mode. In this mode, you can operate the below options:

Memory Options	
A-SAVE	You can operate the Auto-Save mode to automatically save new reading. When you use the probes to measure a new reading, the meter will automatically save it. In some case, the Auto-Save mode will not work. For example, the reading is smaller than the limit (refer Auto-Hold), or the reading is OL. Press ENTER button to start Auto-Save mode, press CANCEL button to exit.
SAVE	Press ENTER button to save a new reading to memory.
LOAD	You can press the ENTER button to review data from memory. Press UP or DOWN button to select data. Press the CANCEL button to return.
CLR	Press ENTER button to clear all data from memory.
MAX	Press ENTER button to review the maximum data from memory.
MIN	Press ENTER button to review the minimum data from memory.

To exit memory save / load mode, press the CANCEL button.

Data Logger

You can record a lot of reading to memory in a long time, then analyze and plot graph. The meter can store maximum 40,000 data in memory. The recorded data amount shows on the secondary display.

The record rate can be set from 1 sec and 600 sec. The error of timer is less than 3 seconds per hour.

To use data logger, move the blink cursor of menu to LOG position, and press the ENTER button to enter mode. In this mode, you can operate the below options :

Data Logger Options	
SAVE	Press ENTER button to start data logger. The logger automatically records at regular intervals. You can press ENTER button to pause data logger, press again to continue. To stop data logger, press CANCEL button to return.
LOAD	You can press the ENTER button to review data from memory. Press UP or DOWN button to select data. Press the CANCEL button to return.
CLR	Press ENTER button to clear all data from memory.
RATE	You can setup the record rate of logger. Press UP or DOWN button to select rate. Press the CANCEL button to return.
MAX	Press ENTER button to review the maximum data from memory.
MIN	Press ENTER button to review the minimum data from memory.

To exit data logger, press the CANCEL button.

Auto Power Off

If you don't operate the rotary switch or buttons for a specified time, the meter will turn off automatically to save the power of batteries. The default APO timer is 10 minutes. In setup mode, you can change the APO timer.

Backlight

The backlight is automatically turned on at dark environment. The backlight mode is default auto. In setup mode, you can set the backlight mode.

Buzzer

The meter equip a 2kHz tone buzzer. Valid button press: Beep once. And invalid button press: Beep twice. In setup mode, you can turn on or off the buzzer. But the buzzer in continuity check cannot be turn off.

Display Resolution

This meter have two display resolution: normal resolution (3¼-digit mode) and high resolution (4¼-digit mode).

The normal resolution is set to default. You can setup the resolution in setup mode.

Setup

To use meter setup mode, move the blink cursor of menu to SETUP position, and press the ENTER button to enter function. Press the UP or DOWN button to select item; press the LEFT or RIGHT to select options. When you complete setup, press the CANCEL button to exit setup mode.

Setup Options	
APO	APO timer: 1min to 30min, or OFF
b.Lit	Backlight mode: Auto, ON or OFF
bBEEP	Buzzer ON or OFF
A.Hold	Auto-Hold mode ON or OFF
Cntin	Continuity threshold: 10Ω to 50Ω
diGit	Display digit: Lo or Hi
TEMP	Temperature default unit: °C or °F
RESET	Press ENTER to reset all setup options.

IR Communications

You can use the IR (infrared) communication link and WinDMM software to transfer the real-time data of meter to PC. In addition, the meter allows the user to log to internal memory and connect to the computer later for download.

For detailed information, refer to the WinDMM Installation Guide or the on-line help.



The meter uses Wireless low energy (BLE) V4.0 wireless technology to transfer the real-time reading and the stored data.

The open-air communication range is up to 10m.

Download "KPS Link" App via the following QR Code. Turn on Bluetooth function of the meter and open "KPS Link" to connect the DMM. The Bluetooth icon of the meter will freeze on LCD after the connection establishes successfully.

Maintenance

Verify the meter's operation by measuring a known voltage. If in doubt, have the meter serviced. Do not attempt to repair this meter. It contains no user serviceable parts. Repair or servicing should only be performed by qualified personnel. To maintain best accuracy, calibrate meter once a year.

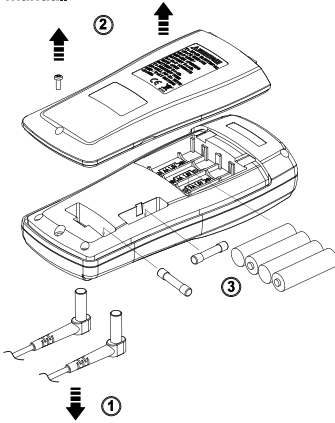
Cleaning

Periodically wipe the case with a dry cloth and detergent. Do not use abrasives or solvents.

Replace Batteries & Fuse



- Remove test lead from meter before opening the battery door or meter case.
- Replace the fuse as soon as the indicator (FUSE) appears.
- Only replace the blown fuse with the proper rating as specified in this manual.



Battery Type :
4 x 1.5V IEC LR6 or size AA

Fuse1 Type :
440mA, 1000V IR 10kA Fuse

Fuse2 Type :
11A, 1000V IR 20kA Fuse

When the battery low indication shows on the display, replace the batteries soon. To save the power of batteries, you can disable the backlight and buzzer in setup mode.

General Specifications

MAX Voltage between any Terminal and Earth Ground :
1000Vrms

Fuse Protection for mA inputs : 440mA, 1000V IR 10kA Fuse

Fuse Protection for A inputs : 11A, 1000V IR 20kA Fuse

Display : 4,000/40,000 counts, over range to 110%.

Over Range Indication : OL

Measuring Rate : 10 samples per second

Power Requirements : 4 x 1.5V IEC LR6 or size AA

Battery Life : 50 hours typical with alkaline (with backlight off).

Operating Ambient : -10°C to 30°C (< 85% RH),
30°C to 40°C (< 75% RH),
40°C to 50°C (< 45% RH)

Storage Temperature :

-20°C to 60°C, 0% RH to 80% RH (batteries not fitted)

Temperature Coefficient :

0.1 x (Specified Accuracy) / °C, < 18°C or > 28°C

Operating Altitude : 6561.7ft (2000m)

Calibration Cycle : 1 time per year.

Weight : 465g including battery.

Dimensions (H x W x L) : 52 x 83 x 188 (mm) with holster.

RF Communications : 2.4 GHz ISM Band, open air 10m

Safety : Complies with EN 61010-1

CAT IV 600V, CAT III 1000V

CAT	Application Field
I	The circuits not connected to mains.
II	The circuits directly connected to Low-voltage installation.
III	The building installation.
IV	The source of the Low-voltage installation.

EMC : EN 61326-1

Pollution Degree : 2

Shock Vibration : Per MIL-PRF-28800F for a Class 2 instrument

Drop Protection : 5ft (1.5m)

Indoor Use

Electrical Specifications

- Accuracy is \pm (% of reading + number of digits) at 18°C to 28°C (< 80% RH)
- For specifications in the 4^{3/4}-digit mode, multiply the number of digits by 10.
- For the best measurements, with relative (Δ) mode to compensate for offsets.

Voltage

Function	Range	Accuracy
AC	40.00mV [1]	Sine Wave: 0.5%+2d for 40Hz to 70Hz [3] 1.5%+4d for 70Hz to 1kHz [3] 3.0%+4d for 1kHz to 5kHz [3] 5.0%+20d for 5kHz to 100kHz [4][5]
	400.0mV [1]	
	4.000V	
	40.00V	
	400.0V [1]	
	1000V [2]	
DC	40.00mV	0.03%+3d
	400.0mV	0.03%+1d
	4.000V	
	40.00V	
	400.0V	
1000V		
AutoV LoZ	400.0V	2.0%+4d for ACV 40Hz to 1kHz
	1000V	2.0%+4d for DCV

[1] The bandwidth is 40Hz to 5kHz
 [2] The bandwidth is 40Hz to 1kHz
 [3] Below 10% of range, add 2d to accuracy.
 [4] Below 10% of range, add 10d to accuracy. < 50kHz.
 [5] Below 10% of range, add 20d to accuracy. > 50kHz.

Input Impedance : 10M Ω , < 100pF

LoZ Input Impedance : 3k Ω

Bandwidth : 40Hz to 100kHz

Minimum Resolution : 10uV

CMRR / NMRR (Common / Normal Mode Rejection Ratio) :

VAC : CMRR > 60dB at DC, 50Hz / 60Hz

VDC : CMRR > 100dB at DC, 50Hz / 60Hz

NMRR > 50dB at DC, 50Hz / 60Hz

Current

Function	Range	Accuracy
AC	40.00mA	Sine Wave: 0.8%+2d for 40Hz to 70Hz [3] 2.0%+4d for 70Hz to 1kHz [3] 2.0%+4d for 1kHz to 10kHz [4]
	400.0mA	
	4.000A [1]	
	10.00A [1][2]	
DC	40.00mA	0.2%+1d
	400.0mA	
	4.000A	0.2%+2d
10.00A [2]		
<p>[1] The bandwidth is 40Hz to 1kHz [2] When > 10A, accuracy is unspecified and maximum measuring time is 30 sec. [3] Below 10% of range, add 2d to accuracy. [4] Below 10% of range, add 10d to accuracy.</p>		

Input Impedance : < 2Ω at mA inputs, < 0.1Ω at A inputs.

Bandwidth : 40Hz to 10kHz

Minimum Resolution : 10uA

Maximum Measuring Time :

1 minutes at A inputs, 10 minutes at mA inputs.

Rest time is 20 minutes minimum.

AC and DC Additional Specifications

Function	Range	Accuracy
AC+DC	Same as V & A	AC accuracy + 1.0%]
HFR		AC accuracy + 1.0% for 40Hz to 400Hz
Peak-Hold		3.0%+200d for 40Hz to 1kHz [1]
[1] For square wave, the accuracy is unspecified.		

The Cut-Off Frequency of HFR: 800Hz (-3dB point)

Attenuation Characteristic of HFR: Approx. -24dB

AC Conversion Type:

The AC conversion type is ac-coupled, true rms responding, calibrated to the sine wave input. For non-sine wave add the following Crest Factor corrections:

For Crest Factor of 1.4 to 2.0, add 1.0% to AC accuracy.

For Crest Factor of 2.0 to 2.5, add 2.5% to AC accuracy.

For Crest Factor of 2.5 to 3.0, add 4.0% to AC accuracy.

Frequency Counter

Range	Resolution	Accuracy
400.0Hz	0.1Hz	1d (3 $\frac{3}{4}$ -digit mode) 5d (4 $\frac{3}{4}$ -digit mode)
4.000kHz	1Hz	
40.00kHz	10Hz	
100.0kHz	100Hz	

Minimum Sensed Frequency : 5Hz

Frequency Counter Sensitivity

Function	Range	Sensitivity (Peak to Peak)	
		5 to 10k Hz	10k to 100k Hz
mV	40.00mV	10mV	10mV
	400.0mV	40mV	100mV
V	4.000V	0.4V	1V
	40.00V	4V	10V
	400.0V	40V	Unspecified
	1000V	400V	
mA	40.00mA	10mA	Unspecified
	400.mA	40mA	
A	4.000A	1A	
	10.00A	4A	

Resistance

Range	Resolution	Accuracy
400.0 Ω	0.1 Ω	0.2%+2d
4.000k Ω	1 Ω	0.2%+1d
40.00k Ω	10 Ω	
400.0k Ω	100 Ω	
4.000M Ω	1k Ω	1.0%+1d
40.00M Ω	10k Ω	2.0%+20d

Maximum Open Circuit Voltage : Approx. 2.5V

Maximum Short Test Current : Approx. 0.1mA

Continuity Check

Range	Resolution	Accuracy
400.0Ω	0.1Ω	0.2%+2d

Maximum Open Circuit Voltage : Approx. 2.5V

Maximum Short Test Current : Approx. 0.1mA

Continuity Threshold : Adjustable 10 to 50 Ω, default 30Ω.

Continuity Indicator : 2kHz Tone Buzzer

Testing Diodes

Range	Resolution	Accuracy
2.000V	1mV	1.5%+2d

Maximum Open Circuit Voltage : Approx. 2.5V

Maximum Short Test Current : Approx. 1mA

Frequency Counter Sensitivity

Range	Resolution	Measuring Time	Accuracy
40.00nF	10pF	1 sec	0.9%+20d
400.0nF	100pF	1 sec	0.9%+10d
4.000uF	1nF	1 sec	0.9%+2d
40.00uF	10nF	1 sec	
400.0uF	100nF	1 sec	
4.000mF	1uF	4 sec	0.9%+10d
40.00mF	10uF	8 sec	0.9%+20d

Temperature

Range	Resolution	Accuracy
-200°C to +1200°C	0.1°C	1.0%+30d
-328°F to +2192°F	0.1°F	1.0%+54d

[1] Does not include error of the thermocouple probe.
 [2] Accuracy specification assumes ambient temperature stable to $\pm 1^\circ\text{C}$. For ambient temperature changes of $\pm 2^\circ\text{C}$, rated accuracy applies after 1 hour.

Información de seguridad

Comprenda y siga cuidadosamente las instrucciones de funcionamiento. Utilizar el medidor solo según lo especificado en este manual, de lo contrario la protección proporcionada por el medidor podría verse mermada.

ADVERTENCIA

Esta señal indica que hay situación de peligro que podría causar DAÑO CORPORAL o MUERTE. Para evitar posibles peligros, siga las directrices que se indican a continuación.

- Utilizar el medidor solo según lo especificado en este manual, de lo contrario la protección podría verse mermada.
- Nunca utilice el medidor con la tapa retirada o la cubierta abierta.
- Para evitar lecturas erróneas que pueden provocar descargas eléctricas y lesiones, reemplace la pila según salga el indicador de pila baja.
- Tenga cuidado con las tensiones por encima de 30VAC rms, pico de 42VAC o ± 30 VDC. Estas tensiones representan un peligro de electrocución.
- Cuando utilice puntas de prueba o sondas, mantenga los dedos detrás de los protectores de mano.
- Retire el cable de prueba del medidor antes de abrir la tapa de la pila o la carcasa del medidor.
- Utilice siempre los bornes adecuados, así como la posición del conmutador y rango para mediciones correctos.
- No aplique más de la tensión nominal, según marca el medidor, entre bornes o entre cualquier borne y tierra firme.
- No utilice la opción de Rechazo de alta frecuencia (filtro de paso bajo) para verificar la presencia de tensiones peligrosas. Puede haber tensiones superiores a las indicadas. Mida primero la tensión sin el filtro para detectar la posible presencia de tensión peligrosa. A continuación, seleccione la función de filtro.
- Para evitar posibles descargas eléctricas o lesiones, nunca intente medir la corriente de un circuito donde el potencial libre a tierra sea superior a 1000V.
- Reemplace el fusible tan pronto como aparezca el indicador (FUSE).
- Sólo reemplace el fusible quemado con otro del valor adecuado según lo especificado en este manual.
- Nunca utilice el medidor en ambientes con gas explosivo, vapor o polvo.
- Para reducir el riesgo de incendio o descarga eléctrica no exponga este producto a la lluvia o la humedad.












- **No intente medir la corriente cuando la tensión abierta esté por encima del valor de protección de los fusibles. Si sospecha que hay tensión abierta, puede comprobarlo con la función de tensión.**
- **Nunca intente medir la tensión con el cable de prueba insertado en el borne de entrada A.**

PRECAUCIÓN

Esta señal indica que hay situación de peligro que podría DAÑAR el medidor o el equipo que se está probando. Para evitar posibles daños, siga las directrices que se indican a continuación.

- Desconecte las puntas de prueba de los puntos de prueba antes de cambiar la posición del dial de función.
- Desconecte la alimentación del circuito y descargue todos los capacitores de alta tensión antes de probar la resistencia, continuidad, diodos o capacitancia.
- Utilice siempre los bornes adecuados, así como la posición del conmutador y rango para mediciones correctos.
- No utilice el modo LoZ para medir tensiones en circuitos que podrían dañarse por la baja impedancia de este modo.
- Reemplace el fusible tan pronto como aparezca el indicador (FUSE).
- Nunca conecte una fuente de tensión si el dial está en la posición de resistencia, diodo, continuidad o capacitancia.
- Nunca ponga el medidor en la de función de corriente para medir la tensión de un circuito de fuente de alimentación ya que podría dañar el medidor y el equipo a prueba.

Símbolos eléctricos

	Tensión peligrosa		Riesgo de peligro. Información importante. Ver manual
	CA (corriente alterna)		
	CC (corriente continua)		Fusible
	Bluetooth		Doble aislamiento
	Pila baja		Se ajusta a las directivas de la Unión Europea
	Conexión a tierra		No tire a la basura este producto
CAT III CAT IV	<p>Categoría de sobretensión del IEC</p> <p>Los equipos CAT III están diseñado para protegerse contra transitorios en equipos en instalaciones fijas, como paneles de distribución, alimentadores y circuitos derivado de corto, y sistemas de iluminación en edificios grandes.</p> <p>Los equipos CAT IV están diseñado para protegerse contra los transitorios del nivel primario de alimentación, como un contador de electricidad o un instalaciones públicas subterráneas o aéreas.</p>		

Mensaje de error

Sonda	Alerta de sonda de prueba. Se muestra cuando las sondas de prueba se encuentran en el borne A o mA y la posición del dial seleccionada no corresponde al borne que se está utilizando.
FUSIBLE	Fusible quemado. Reemplace el fusible tan pronto como se posible.
Er	Error del medidor. Repare el medidor.

La descripción del medidor

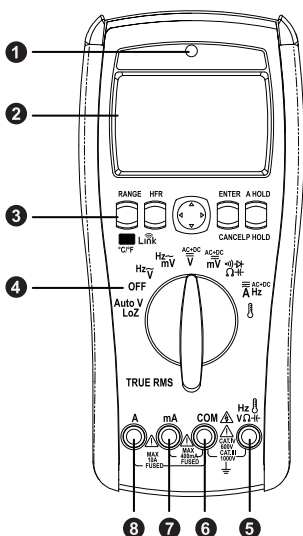


Ilustración del panel frontal:

1. Sensor de retroiluminación automática
2. Pantalla dual de 40,000 unidades
3. Botones
4. Dial
5. Borne de entrada para mediciones de tensión, frecuencia, resistencia, continuidad, diodo, capacitancia y temperatura.
6. Borne de retorno para todas las mediciones.
7. Borne de entrada para mediciones de corriente de 0 a 400mA.
8. Borne de entrada para mediciones de corriente de 0 a 10A.

Botones

Función (rojo)	Selecciona la función de medición.
RANGO	Selecciona el rango de medición. Pulse > 1 s para entrar en modo de rango automático.
HFR	Activa/desactiva el modo de rechazo de alta frecuencia en las mediciones de CA.
Link	Activa/desactiva el modo Bluetooth.
A-HOLD	Activa/desactiva el modo de retención automática.
P-HOLD	Activa el modo de retención de pico en las mediciones de CA o CC. En este modo, pulse el botón para seleccionar retener el pico MAX o MIN. Pulse > 1 s para desactivar el modo de retención de pico.
INTRO	Introduce la función de menú en la posición de puntero.
CANCELAR	Selecciona grados Celsius o grados Fahrenheit.

Opciones de encendido

Cuando arranque el dispositivo, pulse el botón de función para ejecutar las siguientes opciones.

INTRO	Muestra la versión de firmware.
MANTENER	Muestra todos los segmentos LCD.

Hacer mediciones básicas

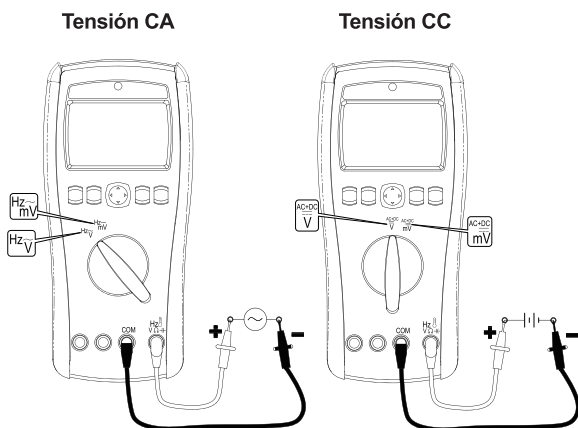


- Al conectar las puntas de prueba al dispositivo a prueba (DAP), conecte la punta de prueba común antes de conectar la fase. Al quitar las puntas de prueba, retire la fase de prueba antes de quitar la punta de prueba común.
- En las secciones siguientes se describe cómo realizar mediciones con el medidor.

Medición de tensión CA y CC

Este medidor mide rms reales, que miden con precisión ondas sinusoidales distorsionadas y otras formas de onda (sin desplazamiento de CC) como ondas cuadradas, ondas triangulares y ondas de escalera.

Los rangos de tensión de medición son 40mV, 400mV, 4V, 40V, 400V y 1000V. Para seleccionar el rango mV, gire el dial a la posición mV.



Para obtener una mayor precisión al medir el CCmV, conecte las puntas de la sonda y lea el desplazamiento de CC. Si fuese necesario, puede utilizar el modo relativo (A) para restar automáticamente este valor.

Realizar medición de dB

El medidor es capaz de mostrar la tensión como un valor dB, ya sea en relación con 1 milivatio (dBm), una tensión de referencia de 1 voltio (dB). Al medir dBm debe utilizar una impedancia de referencia (600Ω) para calcular un valor dB basado en 1 milivatio. Al medir dB se utiliza una tensión de referencia de 1 voltio para comparar la medición actual. Como se indica a continuación:

$$dBm = 20 \log \left(\frac{V_{rms}}{\sqrt{600\Omega \times 1mW}} \right)$$

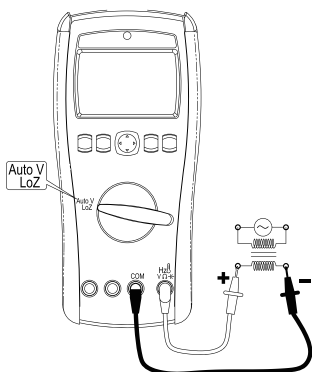
$$dBm = 20 \log \left(\frac{V_{rms}}{1V} \right)$$

Para utilizar la función dB o dBm, gire el dial a la posición CAV o CAMV. A continuación, mueva el cursor parpadeante del menú a la posición dB o dBm y pulse el botón INTRO para entrar en la función. Pulse el botón CANCELAR para salir de la función.

Medición de la tensión en modo LoZ

⚠ PRECAUCIÓN

No utilice el modo LoZ para medir tensiones en circuitos que podrían dañarse por la baja impedancia de este modo.



Para eliminar tensiones fantasma, el modo LoZ del medidor tiene una baja impedancia a través de las puntas para una medición más precisa. Los rangos de medición de tensión LoZ son de 400V y 1000V. En este modo, el medidor medirá automáticamente la señal de entrada que es CA o CC y determinará el rango.

Para utilizar el modo LoZ, gire el dial a la posición LoZ.

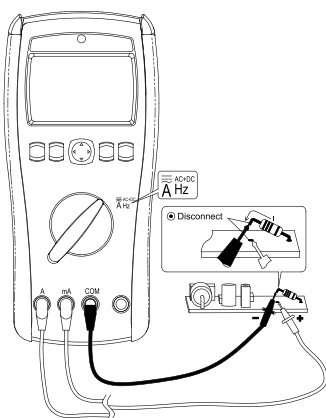
Medición de la corriente CA y CC

⚡ ⚠ ADVERTENCIA

- Utilice siempre los bornes adecuados, así como la posición del conmutador y rango para mediciones correctos.
- Para evitar posibles descargas eléctricas o lesiones, nunca intente medir la corriente de un circuito donde el potencial libre a tierra sea superior a 1000V.
- Sólo reemplace el fusible quemado con otro del valor adecuado según lo especificado en este manual.

⚠ PRECAUCIÓN

- Reemplace el fusible tan pronto como aparezca el indicador (FUSIBLE).



Para medir la corriente, debe romper el circuito a prueba y, a continuación, colocar el medidor en serie con el circuito.

Los rangos de corriente de medición son 40mA, 400mA, 4A y 10A. La corriente CA se muestra como un valor rms. Inserte el cable negro en el borne COM. Para corrientes inferiores a 400 mA, inserte el cable rojo en el borne mA. Para corrientes superiores a 400 mA, inserte el cable rojo en el borne A.

Puede pulsar el botón de función (rojo) para seleccionar la función de medición actual.

Frecuencia de medición

El medidor mide la frecuencia de una tensión o señal de corriente contando el número de veces que la señal cruza un nivel de umbral cada segundo.

Esta función sólo se funciona en mediciones de tensión y corriente CA. Los rangos de frecuencia de medición son 400Hz, 4kHz, 40kHz y 100kHz.

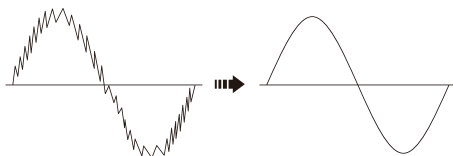
Si una lectura se muestra como 0 Hz o es inestable, la señal de entrada puede estar por debajo o cerca del nivel de disparo. Para más información sobre el nivel de disparo de frecuencia mire las especificaciones eléctricas.

Para utilizar la función de frecuencia, pulse el botón de función (rojo) para seleccionar la función de medición.

Realizar medición de rechazo de alta frecuencia

ADVERTENCIA

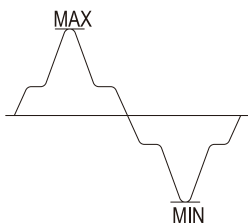
No utilice la opción de Rechazo de alta frecuencia (filtro de paso bajo) para verificar la presencia de tensiones peligrosas. Puede haber tensiones superiores a las indicadas. Mida primero la tensión sin el filtro para detectar la posible presencia de tensión peligrosa. A continuación, seleccione la función de filtro.



El modo de rechazo de alta frecuencia pone un filtro de paso bajo en las mediciones CA. La frecuencia de corte (-3dB) del filtro de paso bajo es de 800Hz. Para utilizar el modo HFR, pulse el botón HFR para poner un filtro de paso bajo en las mediciones CA.

Realizar una medición de retención de pico

El modo retención de pico registra los valores de entrada máximos y mínimos de onda. El tiempo de respuesta de retención de pico es de 10us.



Para utilizar el modo retención de pico, pulse el botón P-HOLD para activar el modo retención de pico en las mediciones CA o CC. En este modo, pulse el botón P-HOLD para seleccionar el valor MAX o MIN máximo. Pulse > 1 s para desactivar el modo de retención de pico.

Para la onda cuadrada, utilice el modo de retención de pico en las mediciones de CC.

Realizar medición de CA+CC

Cuando la señal de entrada son combinaciones ac y cc: AC sobre CC o CC sobre CA, el medidor es capaz de visualizar un valor AC+CC (rms) combinado. Como se indica a continuación:

$$(AC + DC) V_{rms} = \sqrt{ACV^2 + DCV^2}$$

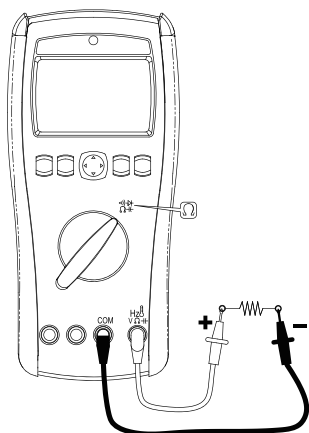
$$(AC + DC) A_{rms} = \sqrt{ACA^2 + DCA^2}$$

Para utilizar la función AC+CC, gire el dial a la posición CCV, CCmV o A y, a continuación, pulse el botón de función (rojo) para seleccionar la función de medición.

Medición de resistencia

⚠ PRECAUCIÓN

Para evitar daños en el multímetro o en los equipos sometidos a prueba, desconectar la alimentación del circuito y descargar todos los condensadores de alto tensión antes de medir la capacitancia.



Los rangos de resistencia a la medición son 400Ω, 4kΩ, 40kΩ, 400k Ω, 4MΩ y 40MΩ.

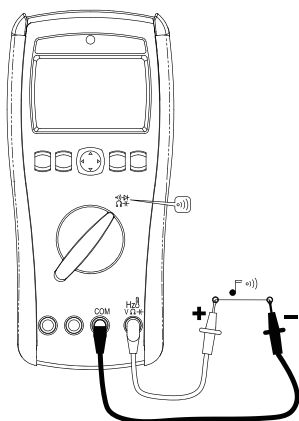
Las puntas de prueba pueden añadir 0,1 Ω a 0,2Ω de error a las mediciones de resistencia. Para probar las puntas, conecte las puntas de la sonda y lea la resistencia de las puntas. Para mayor exactitud, puede utilizar el modo relativo (A) para restar automáticamente este valor.

Las lecturas de alta resistencia (>10MΩ) son susceptibles al ruido eléctrico. Para suavizar las lecturas más ruidosas, introduzca el modo de grabación MAX/MIN; a continuación, pase a la lectura media (AVG).

Comprobación de continuidad

⚠ PRECAUCIÓN

Para evitar daños en el multímetro o en los equipos sometidos a prueba, desconectar la alimentación del circuito y descargar todos los condensadores de alta tensión antes de medir la continuidad.



La comprobación de continuidad cuenta con un zumbador que suena siempre y cuando un circuito esté completo. El zumbador le permite comprobar la continuidad rápidamente sin mirar la pantalla.

Cuando la resistencia a la medición es inferior al umbral, suena el zumbador. Puede configurar el umbral en ajustes.

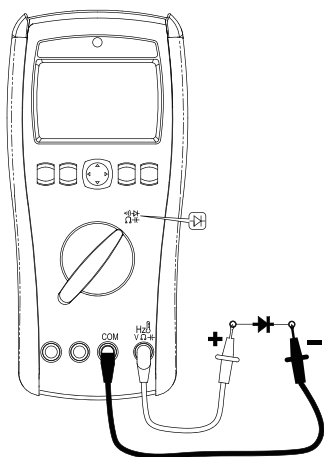
El umbral de continuidad por defecto es 30Ω.

Para utilizar la comprobación de continuidad, gire el dial a la posición de resistencia y, a continuación, pulse el botón de función (rojo) para seleccionar el modo de medición.

Pruebas de diodos

! CAUCIÓN

Para evitar daños en el multímetro o en los equipos sometidos a prueba, desconectar la alimentación del circuito y descargar todos los condensadores de alta tensión antes de probar los diodos.



Utilice la función de diodo para comprobar diodos, transistores, rectificadores controlados por silicio (SCR) y otros dispositivos semiconductores. Esta función prueba una unión semiconductora enviando una corriente a través de la unión y, a continuación, midiendo la caída de tensión de la unión. Una buena unión de silicio cae entre 0,5V y 0,8V.

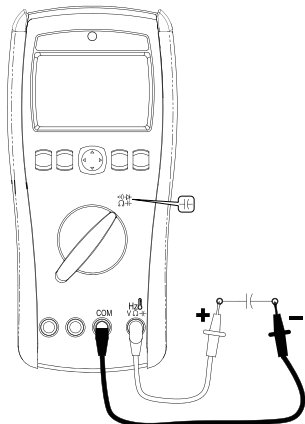
Para lecturas de polarización directa en cualquier componente semiconductor, coloque el cable de prueba rojo en el borne positivo del componente y coloque el cable negro en el borne negativo del componente. En un circuito, un buen diodo debería producir una lectura de polarización directa de 0,5V a 0,8V.

Para utilizar la función de diodo, gire el dial a la posición de resistencia y, a continuación, pulse el botón de función (rojo) para seleccionar el modo de medición.

Medición de capacitancia

! PRECAUCIÓN

Para evitar daños en el multímetro o en los equipos sometidos a prueba, desconectar la alimentación del circuito y descargar todos los condensadores de alto voltaje antes de medir la capacitancia. Utilice la función de tensión cc para confirmar que el condensador está descargado.

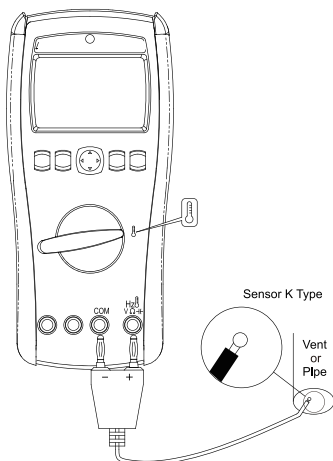


Los rangos de capacitancia de medición son 40nF, 400nF, 4μF, 40μF, 400μF, 4mF y 40mF.

Para mejorar la precisión de las mediciones inferiores a 1000nF, puede utilizar el modo relativo (A) para restar la capacitancia residual de los cables.

Para utilizar la medición de capacitancia, gire el dial a la posición de resistencia y, a continuación, pulse el botón de función (rojo) para seleccionar el modo de medición.

Medición de la temperatura



El medidor mide la temperatura de un termopar tipo K. Puede pulsar el botón de función (rojo) para elegir grados Celsius (°C) o grados Fahrenheit (°F).

Los rangos de visualización son de -200 °C a +1200 °C y -328 °F a +2192 °F.

Fuera de estos rangos se muestra "OL" en la pantalla. Cuando no hay termopar conectado, la pantalla también muestra "OL".

Medir la temperatura, gire el dial a la posición de temperatura y, a continuación, pulse el botón de función (rojo) para seleccionar el modo de medición.

Retención automática

Al medir, puede pulsar el botón A-HOLD para iniciar el modo de retención automática. En este modo, el medidor retiene la lectura y la muestra en la pantalla secundaria.

Si la diferencia entre la lectura nueva y la lectura retenida es mayor que 5d (modo de 3% dígitos), y la lectura nueva es estable, el medidor mantiene automáticamente la nueva lectura en la pantalla secundaria.

Cuando la lectura es menor que el límite de retención automática o la lectura es OL, el modo de retención automática no funciona.

función	Límite
V, A, LoZ, Hz, Cap	1 % del rango
Otros	Sin límite

Para salir del modo de retención automática, vuelva a pulsar el botón A-HOLD. Si no desea utilizar el modo de retención automática, puede deshabilitarlo en los ajustes. Cuando el modo de retención automática está desactivado, el modo de retención no se actualiza ninguna lectura nueva.

Registro de máximos/mínimos

Al medir, puede registrar el valor máximo, mínimo y medio de lectura.

Para utilizar el modo de registro de máximos/mínimos, mueva el cursor de parpadeo del menú a la posición MAX, MIN o AVG y pulse el botón INTRO para entrar en el modo. En este modo, el medidor registra cada dato para comparar el valor máximo y mínimo. Además, el medidor calcula el promedio de lectura.

Puede mover el cursor parpadeante del menú a la posición MAX, MIN o AVG y pulsar el botón INTRO para seleccionar el resultado en la pantalla secundaria.

Cuando se ejecute el modo de registro de máximos/mínimos, si desea pausar la grabación, pulse el botón A-HOLD. Pulse de nuevo para continuar.

Para salir del modo de registro de máximos/mínimos, pulse el botón CANCELAR.

A Relativo

Al medir, puede utilizar el modo relativo (A) para restar el desplazamiento.

Para utilizar el modo relativo (A), mueva el cursor parpadeante del menú a Una posición y pulse el botón INTRO para entrar en modo. En este modo, el medidor registra la lectura actual como referencia y la muestra en la pantalla secundaria. El modo relativo (A) resta referencia de cada lectura y muestra el resultado en la pantalla principal.

En el modo relativo (A), el rango mínimo es relativo (A). Por ejemplo: Los rangos de resistencia a la medición son 400Ω, 4kΩ, 40kΩ, 400kΩ, 4MΩ y 40MΩ. Si utiliza el modo relativo (A) en el rango de 4kΩ, el rango mínimo es el rango de 4kΩ. Puede utilizar el rango de 4kΩ a 40MΩ, no puede cambiar a 400Ω.

Para salir del modo relativo (A), pulse el botón CANCELAR.

% relativo

Al medir, puede utilizar el modo relativo (%) para calcular el valor porcentual relativo. El valor del porcentaje relativo se define como se indica a continuación:

$$\text{Relative \%} = [(\text{Reading} - \text{Ref}) \div \text{Ref}] \times 100.0\%$$

Para usar modo relativo (%), mueva el cursor parpadeante del menú a % de posición y pulse el botón INTRO para entrar en modo. En este modo, el medidor registra la lectura actual como referencia y la muestra en la pantalla secundaria. El modo relativo (%) calcula el valor porcentual relativo de cada lectura y muestra el resultado en la pantalla principal.

Para salir en modo relativo (%), pulse el botón CANCELAR.

Guardar/Cargar memorias

Al medir, puede guardar la lectura en la memoria y cargarla después. El medidor puede almacenar un máximo de 1000 datos en la memoria. El número de datos registrados se muestra en la pantalla secundaria.

Para utilizar el modo de guardar/cargar memorias, mueva el cursor parpadeante del menú a la posición MEM y pulse el botón INTRO para entrar en el modo. En este modo, tiene las siguientes opciones:

Opciones de memoria	
A-SAVE	Puede utilizar el modo de guardado automático para guardar automáticamente nuevas lecturas. Cuando se utilizan las sondas para medir una nueva lectura, el medidor la guardará automáticamente. En algún caso, el modo de guardado automático no funcionará. Por ejemplo, la lectura es menor que el límite (consulte Retención automática) o la lectura es OL. Pulse el botón INTRO para iniciar el modo de guardado automático, pulse el botón CANCELAR para salir.
GUARDAR	Pulse el botón INTRO para guardar una nueva lectura en la memoria.
CARGAR	Puede pulsar el botón INTRO para revisar los datos de la memoria. Pulse el botón ARRIBA o ABAJO para seleccionar los datos. Pulse el botón CANCELAR para volver.
BORRAR	Pulse el botón INTRO para borrar todos los datos de la memoria.
MÁX.	Pulse el botón INTRO para revisar los valores máximos en la memoria.
MÍN.	Pulse el botón INTRO para revisar los valores mínimos en la memoria.

Para salir del modo de guardar/cargar memorias, pulse el botón CANCELAR.

Registrador de datos

Puede grabar una gran cantidad de lectura a la memoria en mucho tiempo, luego analizar y trazar el gráfico. El medidor puede almacenar un máximo de 40,000 datos en la memoria. El número de datos registrados se muestra en la pantalla secundaria.

La tasa de registro se puede ajustar de 1 s y 600 s. El error del temporizador es inferior a 3 segundos por hora.

Para utilizar el registrador de datos, mueva el cursor parpadeante del menú a posición LOG y pulse el botón INTRO para entrar en modo. En este modo, tiene las siguientes opciones:

Opciones del registrador de datos	
GUARDAR	Pulse el botón INTRO para iniciar el registrador de datos. El registrador graba automáticamente a intervalos regulares. Puede pulsar el botón INTRO para pausar el registrador de datos, pulse de nuevo para continuar. Para detener el registrador de datos, pulse el botón CANCEL para volver.
CARGAR	Puede pulsar el botón INTRO para revisar los datos de la memoria. Pulse el botón ARRIBA o ABAJO para seleccionar los datos. Pulse el botón CANCELAR para volver.
BORRAR	Pulse el botón INTRO para borrar todos los datos de la memoria.
TASA	Puede configurar la velocidad de registro del registrador. Pulse el botón ARRIBA o ABAJO para seleccionar la velocidad. Pulse el botón CANCELAR para volver.
MÁX.	Pulse el botón INTRO para revisar los valores máximos en la memoria.
MÍN.	Pulse el botón INTRO para revisar los valores mínimos en la memoria.

Para salir del registrador de datos, pulse el botón CANCELAR.

Apagado automático

Si no utiliza el dial o los botones durante un tiempo específico, el medidor se apagará automáticamente para ahorrar pila. El temporizador predeterminado es de 10 minutos. En los ajustes, puede cambiar el temporizador APO.

Retroiluminación

La retroiluminación se enciende automáticamente en entornos oscuros. Por defecto la retroiluminación es automática. En los ajustes, puede establecer el modo de retroiluminación.

Zumbador

El medidor cuenta con un zumbador de 2 kHz. Botón pulsado correcto: Un pitido. Botón pulsado incorrecto: Dos pitidos. En los ajustes, puede encender o apagar el zumbador. Pero el zumbador en la comprobación de continuidad no se puede apagar.

Resolución de pantalla

Este medidor tiene dos resoluciones de visualización: resolución normal (modo de 3% dígitos) y alta resolución (modo de 4% dígitos).

La resolución normal es la predeterminada. Puede configurar la resolución en ajustes.

Ajustes

Para utilizar los ajustes del medidor, mueva el cursor parpadeante del menú a posición AJUSTES y pulse el botón INTRO para entrar en la función. Pulse el botón ARRIBA o ABAJO para seleccionar el elemento; pulse izquierda o derecha para seleccionar las opciones. Cuando complete la configuración, pulse el botón CANCELAR para salir de los ajustes.

Opciones de configuración	
Apo	Temporizador APO: 1min a 30min, o OFF
Retroiluminación	Modo de retroiluminación: Automático, ON u OFF
Pitido	Zumbador ON u OFF
Retención A.	Modo de retención automática ON u OFF
Cntin	Umbral de continuidad: 10T a 50Ω
Dígitos	Dígito de visualización: Alto o Bajo
Temp	Unidad predeterminada de temperatura: °C o °F
RESTABLECER	Pulse INTRO para restablecer todas las opciones de configuración.

Comunicaciones IR

Puede utilizar el enlace de comunicación IR (infrarrojo) y el software WinDMM para transferir los datos en tiempo real del medidor al PC. Además, el medidor permite al usuario iniciar sesión en la memoria interna y conectarse al ordenador más tarde para su descarga.

Para obtener información detallada, consulte la Guía de instalación de WinDMM o la ayuda en línea.



El medidor utiliza la tecnología inalámbrica Bluetooth de baja energía (BLE) V4,0 para transferir la lectura en tiempo real y los datos almacenados. El rango de comunicación al aire libre es de hasta 10m.

Descargue la aplicación "KPS Link" a través del siguiente código QR. Active la función Bluetooth del medidor y abra "KPS Link" para conectar el DMM. El icono bluetooth del medidor se congelará en la pantalla LCD después de que la conexión se haya establecido correctamente.

Mantenimiento

Verifique el funcionamiento del medidor midiendo un tensión conocida. En caso de duda, mande el medidor a reparar. No intente reparar este medidor. No contiene piezas que puedan ser reparadas por el usuario. Todas las reparaciones o revisiones deben ser realizadas únicamente por personal cualificado. Para una mejor precisión, calibre el medidor una vez al año.

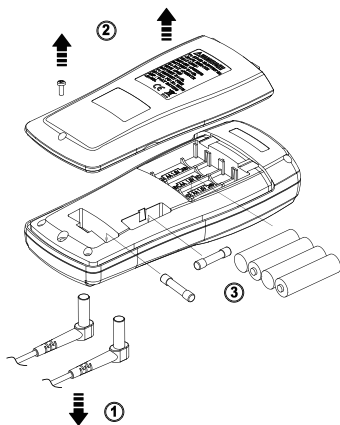
Limpieza

Limpie periódicamente la carcasa con un paño seco y detergente. No utilice abrasivos ni disolventes.

Cambiar pilas y fusibles

⚠️ ⚠️ ADVERTENCIA

- Retire el cable de prueba del medidor antes de abrir la tapa de la pila o la carcasa del medidor.
- Reemplace el fusible tan pronto como aparezca el indicador (FUSE).
- Sólo reemplace el fusible quemado con otro del valor adecuado según lo especificado en este manual.



Tipo de pilas:
4 x 1.5V IEC LR6 o tamaño AA

Tipo de fusible 1:
Fusible 440mA, 1000V IR 10kA

Tipo de fusible 2:
Fusible 11A, 1000V IR 20kA

Cuando la indicación de pila baja se muestre en la pantalla, reemplace las pilas. Para ahorrar energía de las pilas, puede desactivar la retroiluminación y el zumbador en los ajustes.

Especificaciones generales

Tensión MÁXIMA entre cualquier borne y tierra: 1000Vrms

Protección de fusibles para entradas mA: Fusible 440mA, 1000V IR 10kA

Protección de fusibles para entradas A: Fusible 11A, 1000V IR 20kA

Monitor: 4,000/40,000 unidades, sobre rango hasta el 110%.

Indicación de sobre rango: OL

Velocidad de medición: 10 muestras por segundo

Requisitos de alimentación: 4 x 1.5V IEC LR6 o tamaño AA

Duración de la batería:

50 horas típicas con alcalinas (con retroiluminación apagada).

Temperatura operativa:

-10°C to 30°C (< 85% RH),

30°C a 40°C (< 75% RH),

40°C a 50°C (< 45% RH)

Temperatura de almacenamiento:

-20°C a 60°C, 0% RH a 80% RH (pilas no instaladas)

Coefficiente de temperatura:

0,1 x (Precisión especificada) / °C, < 18°C o > 28°C

Altitud operativa: 2000m (6561,7ft)

Ciclo de calibración: 1 vez al año.

Peso: 465g incluyendo pilas.

Dimensiones (Al x An x L): 52 x 83 x 188 (mm) con funda.

Comunicaciones RF: Banda ISM de 2,4 GHz, al aire libre 10m

Seguridad: Cumple con EN 61010-1

CAT IV 600V, CAT III 1000V

CAT	Campo de aplicación
I	Los circuitos no están conectados a la red.
II	Los circuitos se conectaron directamente a la instalación de baja tensión.
III	La instalación del edificio.
IV	La fuente de la instalación de baja tensión.

EMC : EN 61326-1

Grado de contaminación: 2

Vibración/golpes: Por MIL-PRF-28800F para un instrumento de clase 2

Protección contra caídas: 1,5 m (5 pies)

Uso en interiores

Especificaciones eléctricas

- La precisión es \pm (% de lectura + número de dígitos) a 18°C a 28°C (< 80% RH)
- Para las especificaciones en el modo de 4% dígitos, multiplique el número de dígitos por 10.
- Para mediciones óptimas use el modo relativo (A) para compensar los desplazamientos.

Tensión

Función	Rango	Precisión
CA	40,00mV [1] 400,0mV [1] 4,000V 40,00V 400,0V [1] 1000V [2]	Onda sinusoidal: 0.5%+2d para 40Hz a 70Hz [3] 1.5%+4d para 70Hz a 1 kHz [3] 3,0%+4d para 1 kHz a 5kHz [3] 5,0%+20d para 5kHz a 100kHz [4][5]
	40,00mV	0,03%+3d
C.C.	400,0mV 4,000V 40,00V 400,0V 1000V	0,03%+1d
	400,0V 1000V	2,0%+4d para CAV 40Hz a 1kHz 2,0%+4d para CCV

[1] El ancho de banda es de 40Hz a 5kHz

[2] El ancho de banda es de 40Hz a 1 kHz

[3] Por debajo del 10% del rango, agregue 2d a la precisión.

[4] Por debajo del 10% del rango, agregue 10d a la precisión. < 50 kHz.

[5] Por debajo del 10% del rango, agregue 20d a la precisión. > 50 kHz.

Impedancia de entrada: 10M Ω , < 100pF

Impedancia de entrada loz : 3k Ω

Ancho de banda: 40Hz a 100kHz

Resolución mínima: 10uV

CMRR / NMRR (Relación de rechazo de modo común / normal) :

VCA: CMRR > 60dB en CC, 50Hz / 60Hz

VCC: CMRR > 100dB en CC, 50Hz / 60Hz

NMRR > 50dB en CC, 50Hz / 60Hz

Corriente

Función	Rango	Precisión
AC	40,00mA 400,0mA 4,000A [1] 10,00A [1][2]	Onda sinusoidal: 0,8%+2d para 40Hz a 70Hz [3] 2,0%+4d para 70Hz a 1 kHz [3] 2,0%+4d para 1kHz a 10kHz [4]
C.C.	40,00mA 400,0mA 4,000A	0,2%+1d
	10,00A [2]	0,2%+2d

[1] El ancho de banda es de 40Hz a 1kHz
 [2] Cuando > 10A, la precisión no está especificada y el tiempo máximo de medición es de 30 s.
 [3] Por debajo del 10% del rango, agregue 2d a la precisión.
 [4] Por debajo del 10% del rango, agregue 10d a la precisión.

Impedancia de entrada: < 20. en entradas mA, < 0,10 en entradas A.

Ancho de banda: 40Hz a 10kHz

Resolución mínima: 10uA

Tiempo máximo de medición:

1 minuto en entradas A, 10 minutos en entradas mA.

El tiempo de descanso es de 20 minutos como mínimo.

Especificaciones adicionales de CA y DC

Función	Rango	Precisión
AC+CC	Lo mismo que V y A	Precisión de CA + 1,0%
HFR		Precisión de CA + 1,0% para 40Hz a 400Hz
Retención de pico		3,0%+200d para 40Hz a 1 kHz [1]

[1] Para la onda cuadrada, la precisión no está especificada.

La frecuencia de corte de HFR: 800Hz (-3dB punto)

Atenuación Característica de HFR: Aprox. -24dB

Tipo de conversión de CA:

El tipo de conversión de CA tiene acoplamiento CA,

rms real que responde, calibrado a la entrada de onda sinusoidal.

Para la onda no sinusoidal, añade las siguientes correcciones de factor de cresta:

Para el factor de cresta de 1,4 a 2,0, añade del 1,0% a la precisión de CA.

Para el factor de cresta de 2,0 a 2,5, añade del 2,5% a la precisión de CA.

Para el factor de cresta de 2,5 a 3,0, añade del 4,0% a la precisión de CA.

Contador de frecuencias

Rango	Resolución	Precisión
400,0Hz	0,1Hz	1d (modo de 3 dígitos) 5d (modo de 4% dígitos)
4,000kHz	1Hz	
40,00kHz	10Hz	
100,0 kHz	100Hz	

Frecuencia mínima percibida: 5Hz

Sensibilidad del contador de frecuencia

Función	Rango	Sensibilidad (Pico a Pico)	
		5 a 10k Hz	10k a 100k Hz
Mv	40,00mV	10mV	10mV
	400,0mV	40mV	100mV
V	4,000V	0.4V	1V
	40,00V	4V	10V
	400,0V	40V	No especificado
	1000V	400V	
mA	40,00mA	10mA	No especificado
	400.mA	40mA	
un	4,000A	1A	
	10,00A	4A	

Resistencia

Rango	Resolución	Precisión
400,0 Ω	0,1 Ω	0,2%+2d
4,000k Ω	1T	0,2%+1d
40,00k Ω	10T	
400,0k Ω	100 Ω	
4,000M Ω	ikn	1,0%+1d
40,00M Ω	10k Ω	2,0%+20d

Tensión máxima de circuito abierto: Aprox. 2,5V

Corriente máxima de prueba de corto: Aprox. 0,1 mA

Comprobación de continuidad

Rango	Resolución	Precisión
400,0 Ω	0,1 Ω	0,2%+2d

Tensión máxima de circuito abierto: Aprox. 2,5V

Corriente máxima de prueba de corto: Aprox. 0,1 mA

Umbral de continuidad: Ajustable de 10 a 50 Ω , predeterminado 30 Ω .

Indicador de continuidad: Zumbador de tono de 2 kHz

Pruebas de diodos

Rango	Resolución	Precisión
2,000V	1mV	1,5%+2d

Tensión máxima de circuito abierto: Aprox. 2,5V

Corriente máxima de prueba de corto: Aprox. 1mA

Capacitancia

Rango	Resolución	Tiempo de medición	Precisión
40,00nF	10pF	1 s	0,9%+20d
400,0nF	100pF	1 s	0,9%+10d
4,000uF	1nF	1 s	0,9%+2d
40,00uF	10nF	1 s	
400,0uF	100nF	1 s	
4,000mF	1uF	4 seg	0,9%+10d
40,00mF	10uF	8 seg	0,9%+20d

Temperatura

Rango	Resolución	Precisión
-200'0 a +1200'0	0,1°C	1,0%+30d
-328°F a +2192°F	0,1°F	1,0%+54d

[1] No incluye el error de la sonda de termopar.

[2] La especificación de precisión asume una temperatura ambiente estable a ± 1 °C. Para los cambios de temperatura ambiente de ± 2 °C, la precisión nominal se aplica después de 1 hora.

Informations de sécurité

Comprenez et suivez attentivement les instructions d'utilisation. Utilisez le compteur uniquement comme spécifié dans ce manuel; dans le cas contraire, la protection fournie par le compteur peut être altérée.

AVERTISSEMENT

Il s'agit d'identifier les conditions et les actions hasardeuses qui pourraient provoquer des DOMMAGES CORPORELS ou la MORT. Pour éviter tout danger éventuel, suivez les directives ci-dessous.












- Utilisez le compteur uniquement comme spécifié dans ce manuel ou la protection par le compteur pourrait être altérée.
 - Ne jamais utiliser le compteur avec le couvercle enlevé ou le boîtier ouvert.
 - Pour éviter les fausses lectures qui peuvent entraîner un choc électrique et des blessures, remplacez la pile dès que l'indicateur de pile faible s'allume.
 - Soyez prudent avec des tensions supérieures à 30VAC rms, 42VAC crête ou ± 30VDC. Ces tensions présentent un risque d'électrocution.
 - Lorsque vous utilisez des cordons de test ou des sondes, gardez vos doigts derrière les protège-doigts.
 - Retirez le cordon de test du compteur avant d'ouvrir le couvercle du compartiment à piles ou le boîtier du compteur.
 - Utilisez toujours les bornes, la position du commutateur et la plage de mesure appropriées.
 - Ne pas appliquer plus que la tension nominale, comme indiqué sur le compteur, entre les bornes ou entre une borne et la terre.
 - Ne pas utiliser l'option de réjection des hautes fréquences (filtre passe-bas) pour vérifier la présence de tensions dangereuses. Des tensions supérieures à ce qui est indiqué peuvent être présentes. Tout d'abord, effectuez une mesure de tension sans le filtre pour détecter la présence possible d'une tension dangereuse. Sélectionnez ensuite la fonction de filtrage.
 - Pour éviter tout risque d'électrocution ou de blessure, ne tentez jamais de mesurer un courant en circuit lorsque le potentiel de circuit ouvert à la terre est supérieur à 1000V.
 - Remplacez le fusible dès que l'indicateur (FUSE) apparaît.
 - Remplacez uniquement le fusible grillé par un fusible de calibre approprié, comme indiqué dans ce manuel.
 - Ne pas utiliser le compteur à proximité de gaz, de vapeurs ou de poussières explosives.
 - Pour réduire les risques d'incendie ou d'électrocution, n'exposez pas ce produit à la pluie ou à l'humidité.
-
- **Ne tentez pas de mesurer le courant lorsque la tension ouverte est supérieure à la valeur nominale de protection du fusible. La tension ouverte suspectée peut être vérifiée avec la fonction de tension.**
 - **Ne tentez jamais de mesurer une tension avec le fil d'essai inséré dans la borne d'entrée A.**

MISE EN GARDE

Cela identifie les conditions et les actions qui pourraient ENDOMMAGER le compteur ou l'équipement testé. Pour éviter tout dommage éventuel, suivez les directives ci-dessous.

- Débranchez les cordons de test des points de test avant de changer la position du commutateur rotatif de fonction.
- Débranchez l'alimentation du circuit et déchargez tous les condensateurs haute tension avant de tester la résistance, la continuité, les diodes ou la capacité.
- Utilisez toujours les bornes, la position du commutateur et la plage de mesure appropriées.
- Ne pas utiliser le mode LoZ pour mesurer des tensions dans des circuits qui pourraient être endommagés par la faible impédance de ce mode.
- Remplacez le fusible dès que l'indicateur (FUSE) apparaît.
- Ne jamais connecter une source de tension avec le commutateur rotatif de fonction en position résistance, diode, continuité et capacité.
- Ne jamais régler le compteur en fonction courant pour mesurer la tension d'un circuit d'alimentation dans un équipement, car cela pourrait endommager le compteur et l'équipement testé.

Symboles électriques

	Tension dangereuse		Risque de danger. Information importante. Voir manuel
	CA (courant Alternatif)		
	CC (Courant Continu)		Fusible
	Bluetooth		Double isolation
	Batterie faible		Conforme aux directives de l'Union européenne
	Terre		Ne pas jeter ce produit ou le mettre au rebut.
CAT III CAT IV	<p>Catégorie de surtension CEI</p> <p>Les équipements CAT III sont conçus pour protéger contre les transitoires dans les équipements des installations fixes, tels que les panneaux de distribution, les alimentations et les circuits de dérivation courts, et les systèmes d'éclairage dans les grands bâtiments.</p> <p>Les équipements CAT IV sont conçus pour protéger contre les transitoires provenant du niveau d'alimentation primaire, comme un compteur électrique ou un service public aérien ou souterrain.</p>		

Message d'erreur

Sonde	Alerte de sonde de test. S'affiche lorsque les sondes de test sont sur la borne A ou mA et que la position du commutateur rotatif sélectionnée ne correspond pas à la borne utilisée.
FUSIBLE	Le fusible s'est cassé. Remplacez le fusible aussitôt.
Er	Erreur de compteur. Faites réparer le multimètre.

La description du compteur

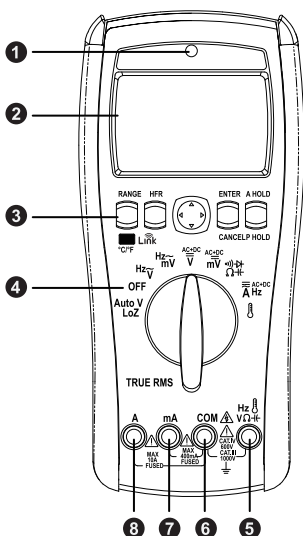


Illustration du panneau avant:

1. Point de détection automatique du rétroéclairage
2. Double affichage 40000 points
3. Boutons poussoir
4. Commutateur rotatif
5. Borne d'entrée pour les mesures de tension, fréquence, résistance, continuité, diode, capacité et température.
6. Retournez la borne pour toutes les mesures.
7. Borne d'entrée pour les mesures de courant de 0 à 400 mA.
8. Borne d'entrée pour les mesures de courant de 0 à 10A.

Boutons poussoir

Fonction (rouge)	Sélectionnez la fonction de mesure.
GAMME	Sélectionnez la gamme de mesure. Appuyez sur > 1 seconde pour passer en mode de gamme automatique.
HFR	Activez / désactivez le mode de rejet haute fréquence dans les mesures CA.
Link	Activez / désactivez le mode Bluetooth.
A-HOLD	Activez / désactivez le mode Auto-Hold.
A-HOLD	Activez le mode Peak-Hold dans les mesures CA ou CC. Dans ce mode, appuyez sur le bouton pour sélectionner Peak-Hold MAX ou MIN. Appuyez sur > 1 sec pour désactiver le mode Peak-Hold (maintien de crête).
ENTREE	Permet d'accéder à la fonction de menu à la position du pointeur.
ANNULER	Annule la fonction de menu actuelle.

Options de mise sous tension

Lors de la mise sous tension, appuyez sur le bouton de fonction pour exécuter les options ci-dessous.

ENTREE	Affichez la version du micrologiciel.
A HOLD	Affichez tous les segments LCD.

Faire des mesures de base

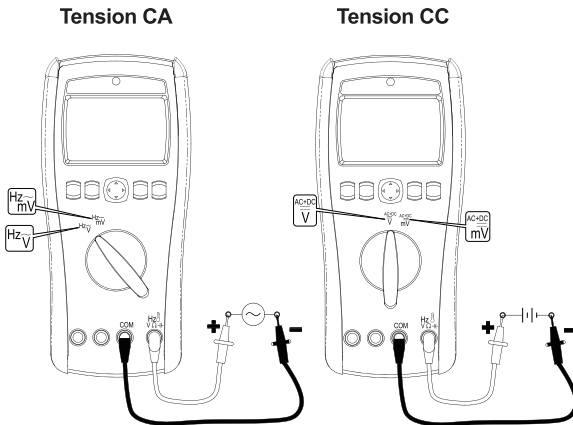


- Lors de la connexion des cordons de test au DUT (Device Under Test), connectez le cordon de test commun avant de connecter le cordon sous tension. Lors du retrait des cordons de test, retirez les cordons de test sous tension avant de retirer les cordons de test communs.
- Les sections suivantes décrivent comment prendre des mesures avec le mètre.

Mesure de tension alternative et continue

Ce compteur affiche des valeurs efficaces réelles, qui sont précises pour les ondes sinusoïdales déformées et d'autres formes d'onde (sans décalage en courant continu) telles que les ondes carrées, les ondes triangulaires et les ondes en escalier.

Les plages de tension de mesure sont 40mV, 400mV, 4V, 40V, 400V et 1000V. Pour sélectionner la plage mV, tournez le commutateur rotatif sur la position mV.



Pour une meilleure précision lors de la mesure de DCmV, touchez les pointes de sonde ensemble et lisez l'offset DC. Si nécessaire, vous pouvez utiliser le mode relatif (A) pour soustraire automatiquement cette valeur.

Effectuer une mesure en dB

Le compteur est capable d'afficher la tension sous forme de valeur dB, soit par rapport à 1 milliwatt (dBm), soit par rapport à une tension de référence de 1 volt (dB). Une mesure en dBm doit utiliser une impédance de référence (600Ω) pour calculer une valeur en dB basée sur 1 milliwatt. Une mesure en dB utilise une tension de référence de 1 volt pour comparer la mesure actuelle. Définissez comme ci-dessous :

$$dBm = 20 \log \left(\frac{V_{rms}}{\sqrt{600\Omega \times 1mW}} \right)$$

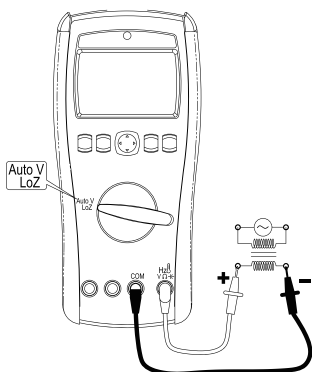
$$dB = 20 \log \left(\frac{V_{rms}}{1V} \right)$$

Pour utiliser la fonction dB ou dBm, tournez le commutateur rotatif sur la position ACV ou ACmV. Déplacez ensuite le curseur clignotant du menu sur la position dB ou dBm et appuyez sur le bouton ENTREE pour accéder à la fonction. Appuyez sur le bouton ANNULER pour quitter la fonction.

Mesure de la tension en mode LoZ

⚠ MISE EN GARDE

Ne pas utiliser le mode LoZ pour mesurer des tensions dans des circuits qui pourraient être endommagés par la faible impédance de ce mode.



Pour éliminer les tensions fantômes, le mode LoZ de l'appareil présente une faible impédance entre les fils pour obtenir une mesure plus précise. Les plages de mesure de la tension LoZ sont 400V et 1000V. Dans ce mode, le multimètre mesurera automatiquement le signal d'entrée qui est CA ou CC et déterminera la plage.

Pour utiliser le mode LoZ, tournez le commutateur rotatif sur la position LoZ.

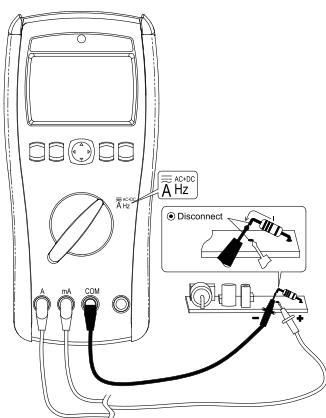
Mesure du courant alternatif et continu

⚡ ⚠ AVERTISSEMENT

- Utilisez toujours les bornes, la position du commutateur et la plage de mesure appropriées.
- Pour éviter tout risque d'électrocution ou de blessure, ne tentez jamais de mesurer un courant en circuit lorsque le potentiel de circuit ouvert à la terre est supérieur à 1000V.
- Remplacez uniquement le fusible grillé par un fusible de calibre approprié, comme indiqué dans ce manuel.

⚠ MISE EN GARDE

- Remplacez le fusible dès que l'indicateur (FUSE) apparaît.



Pour mesurer le courant, vous devez couper le circuit à tester, puis placer le compteur en série avec le circuit.

Les plages de mesure du courant sont de 40mA, 400mA, 4A et 10A. Le courant alternatif est affiché comme une valeur efficace. Insérez le fil noir dans la borne COM. Pour les courants inférieurs à 400 mA, insérez le fil rouge dans la borne mA. Pour les courants supérieurs à 400 mA, insérez le fil rouge dans la borne A.

Vous pouvez appuyer sur le bouton de fonction (rouge) pour sélectionner la fonction de mesure actuelle.

Mesure de la fréquence

Le compteur mesure la fréquence d'un signal de tension ou de courant en comptant le nombre de fois que le signal franchit un seuil par seconde.

Cette fonction ne peut être utilisée que pour les mesures de tension et de courant alternatif. Les plages de fréquence de mesure sont 400Hz, 4kHz, 40kHz et 100kHz.

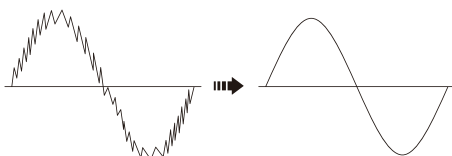
Si une lecture indique 0 Hz ou est instable, le signal d'entrée peut être inférieur ou proche du niveau de déclenchement. Le détail du niveau de déclenchement de fréquence se réfère aux spécifications électriques.

Pour utiliser la fonction de fréquence, appuyez sur le bouton de fonction (rouge) pour sélectionner la fonction de mesure.

Effectuer une mesure de rejet haute fréquence

AVERTISSEMENT

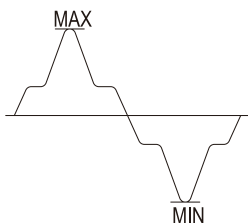
Ne pas utiliser l'option de réjection des hautes fréquences (filtre passe-bas) pour vérifier la présence de tensions dangereuses. Des tensions supérieures à ce qui est indiqué peuvent être présentes. Tout d'abord, effectuez une mesure de tension sans le filtre pour détecter la présence possible d'une tension dangereuse. Sélectionnez ensuite la fonction de filtrage.



Le mode de réjection haute fréquence équipe un filtre passe-bas dans les mesures AC. La fréquence de coupure (point -3 dB) du filtre passe-bas est de 800 Hz. Pour utiliser le mode HFR, appuyez sur le bouton HFR pour équiper un filtre passe-bas dans les mesures CA.

Effectuer une mesure de maintien de crête (Peak-Hold)

Le mode Peak-Hold enregistre les valeurs d'entrée maximum et minimum de crête d'onde. Le temps de réponse de Peak-Hold est de 10us.



Pour utiliser le mode Peak-Hold, appuyez sur le bouton P-HOLD pour activer le mode Peak-Hold dans les mesures AC ou DC. Dans ce mode, appuyez sur le bouton P-HOLD pour sélectionner la valeur maximale MAX ou MIN. Appuyez sur > 1 sec pour désactiver le mode Peak-Hold (maintien de crête).

Pour une onde carrée, utilisez le mode de maintien de crête dans les mesures CC.

Effectuer une mesure CA + CC

Lorsque le signal d'entrée est une combinaison CA et CC: CA sur CC ou CC sur CA, le compteur est capable d'afficher une valeur CA + CC (rms) combinée. Définissez comme ci-dessous:

$$(AC + DC) Vrms = \sqrt{ACV^2 + DCV^2}$$

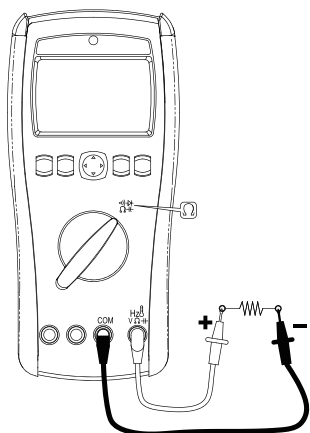
$$(AC + DC) Arms = \sqrt{ACA^2 + DCA^2}$$

Pour utiliser la fonction CA + CC, tournez la butée du commutateur rotatif en position DCV, DCmV ou A, puis appuyez sur le bouton de fonction(rouge) pour sélectionner la fonction de mesure.

Mesure de la résistance

⚠ MISE EN GARDE

Pour éviter d'endommager l'appareil de mesure ou l'équipement testé, débranchez le circuit et déchargez tous les condensateurs haute tension avant de mesurer la résistance.



Les plages de résistance de mesure sont 400Ω, 4kQ, 40kQ, 400k Q, 4MQ, et 40MQ.

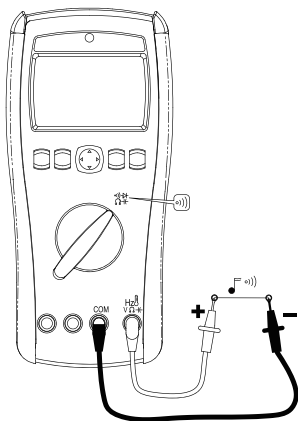
Les fils d'essai peuvent ajouter 0,1 Q à 0,2 Q d'erreur aux mesures de résistance. Pour tester les fils, mettez les pointes des sondes en contact et lisez la résistance des fils. Pour une meilleure précision, vous pouvez utiliser le mode relatif (A) pour soustraire automatiquement cette valeur.

Les lectures à haute résistance (> 10MQ) sont sensibles au bruit électrique. Pour lisser la plupart des lectures bruyantes, accédez au mode d'enregistrement MAX / MIN; puis passez à la lecture moyenne (AVG).

Contrôle de continuité

⚠ MISE EN GARDE

Pour éviter tout risque de dommage au compteur ou à l'équipement testé, débranchez le circuit et déchargez tous les condensateurs haute tension avant de tester la continuité.



Le contrôle de continuité est doté d'un signal sonore qui retentit tant qu'un circuit est complet. Le signal sonore vous permet d'effectuer des contrôles de continuité rapides sans regarder l'écran.

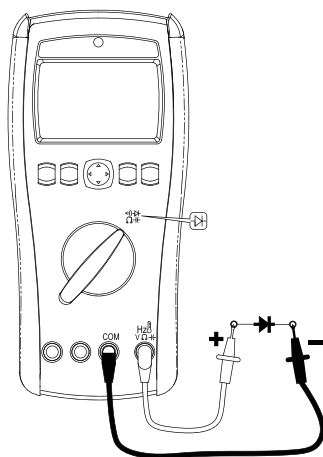
Lorsque la résistance mesurée est inférieure au seuil, le signal sonore retentit. Vous pouvez définir le seuil dans le mode de configuration. Le seuil de continuité est par défaut de 30Ω.

Pour utiliser le contrôle de continuité, tournez le commutateur rotatif en position de résistance, puis appuyez sur le bouton de fonction (rouge) pour sélectionner le mode de mesure.

Test des diodes

⚠ MISE EN GARDE

Pour éviter tout risque de dommage au compteur ou à l'équipement testé, débranchez le circuit et déchargez tous les condensateurs de haute tension avant de tester les diodes.



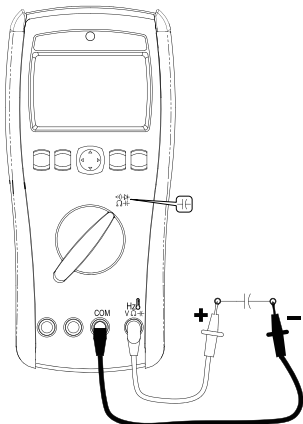
Utilisez la fonction diode pour vérifier les diodes, les transistors, les redresseurs contrôlés au silicium (SCR) et d'autres dispositifs à semi-conducteurs. Cette fonction teste une jonction semi-conductrice en envoyant un courant à travers la jonction, puis en mesurant la chute de tension de la jonction. Une bonne jonction silicium chute entre 0,5V et 0,8V. Pour les lectures de polarisation directe sur n'importe quel composant semi-conducteur, placez le cordon de test rouge sur la borne positive du composant et placez le fil noir sur la borne négative du composant. Dans un circuit, une bonne diode devrait toujours produire une lecture de polarisation directe de 0,5 V à 0,8 V.

Pour utiliser la fonction diode, tournez le commutateur rotatif en position de résistance, puis appuyez sur le bouton de fonction (rouge) pour sélectionner le mode de mesure.

Mesure de la capacité

⚠ MISE EN GARDE

Pour éviter d'endommager l'appareil de mesure ou l'équipement testé, débranchez le circuit et déchargez tous les condensateurs haute tension avant de mesurer la capacité. Utilisez la fonction de tension continue pour confirmer que le condensateur est déchargé.

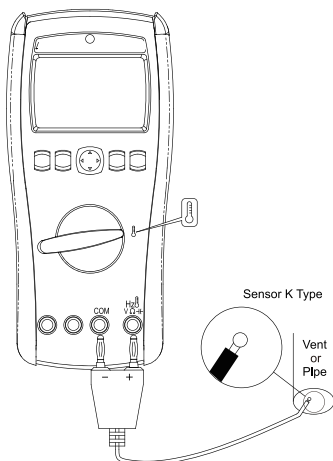


Les gammes de mesure de la capacité sont de 40 nF, 400 nF, 4uF, 40uF, 400uF, 4mF et 40mF.

Pour améliorer la précision des mesures inférieures à 1000 nF, vous pouvez utiliser le mode relatif (A) pour soustraire la capacité résiduelle des cordons.

Pour utiliser la mesure de capacité, tournez le commutateur rotatif en position de résistance, puis appuyez sur le bouton de fonction (rouge) pour sélectionner le mode de mesure.

Mesure de la température



Le compteur mesure la température d'un thermocouple de type K. Vous pouvez appuyer sur le bouton de fonction (rouge) pour choisir les degrés Celsius (°C) ou les degrés Fahrenheit (°F).

Les plages d'affichage vont de -200 °C à + 1200 °C et de -328 °F à + 2192 °F.

Les lectures en dehors de ces plages indiquent «OL» sur l'affichage.

Lorsqu'aucun thermocouple n'est connecté, l'écran affiche également «OL».

Pour utiliser la mesure de la température, mettez le commutateur rotatif en position température, puis appuyez sur le bouton de fonction (rouge) pour sélectionner le mode de mesure.

Auto-Hold

Lors de la mesure, vous pouvez appuyer sur le bouton A-HOLD pour démarrer le mode Auto-Hold. Dans ce mode, le compteur maintient la lecture et l'affiche sur l'écran secondaire.

Si la différence entre le nouveau relevé et le relevé en suspens est supérieure à 5d (mode chiffres de 3%), et que le nouveau relevé est également stable, le compteur enregistre automatiquement un nouveau relevé sur l'affichage secondaire.

Quand la lecture est inférieure à la limite de maintien automatique, ou quand la lecture est OL, le mode de maintien automatique ne fonctionne pas.

Fonction	Limite
V, A, LoZ, Hz, Cap	1% de gamme
Autres	Pas de Limite

Pour quitter le mode Auto-Hold, appuyez à nouveau sur le bouton A-HOLD. Si vous ne souhaitez pas utiliser le mode Auto-Hold, vous pouvez le désactiver dans le mode de configuration. Lorsque le mode Auto-Hold est désactivé, le mode Hold ne met à jour aucune nouvelle lecture.

Enregistrement maximum / minimum

Lors de la mesure, vous pouvez enregistrer la valeur maximale, minimale et moyenne de la lecture.

Pour utiliser le mode d'enregistrement maximum / minimum, déplacez le curseur clignotant du menu sur la position MAX, MIN ou AVG, et appuyez sur le bouton ENTER pour entrer en mode. Dans ce mode, le compteur enregistre chaque donnée pour comparer la valeur maximale et minimale. En outre, le compteur calcule la moyenne de la lecture.

Vous pouvez déplacer le curseur clignotant du menu sur la position MAX, MIN ou AVG et appuyer sur le bouton ENTER pour sélectionner le résultat sur l'affichage secondaire.

Lorsque le mode d'enregistrement maximum / minimum est en cours d'exécution, si vous souhaitez interrompre l'enregistrement, appuyez sur le bouton A-HOLD. Appuyez à nouveau pour continuer.

Pour quitter le mode d'enregistrement maximum / minimum, appuyez sur le bouton CANCEL.

Relative A

Lors de la mesure, vous pouvez utiliser le mode relatif (A) pour soustraire le décalage.

Pour utiliser le mode relatif (A), déplacez le curseur clignotant du menu sur la position A et appuyez sur le bouton ENTER pour entrer en mode. Dans ce mode, le compteur enregistre la lecture actuelle comme référence et l'affiche sur l'affichage secondaire. Le mode relatif (A) soustrait la référence de chaque lecture et affiche le résultat sur l'écran principal.

En mode relatif (A), la plage minimale est la plage relative (A). Par exemple: Les plages de résistance de mesure sont 400Ω, 4kQ, 40kQ, 400kQ, 4MQ, et 40MQ. Si vous utilisez le mode relatif (A) dans la plage 4kQ, la plage minimale est la plage 4kQ. Vous pouvez utiliser la plage allant de 4kQ à 40MQ, ne peut pas passer à 400Ω.

Pour quitter le mode relatif (A), appuyez sur le bouton ANNULER.

Relative %

Lors de la mesure, vous pouvez utiliser le mode relatif (%) pour calculer la valeur en pourcentage relatif. La valeur relative en pourcentage est définie comme ci-dessous:

$$\text{Relative \%} = [(\text{Reading} - \text{Ref}) \div \text{Ref}] \times 100.0\%$$

Pour utiliser le mode relatif (%), déplacez le curseur clignotant du menu sur la position % et appuyez sur le bouton ENTER pour entrer en mode. Dans ce mode, le compteur enregistre la lecture actuelle comme référence et l'affiche sur l'affichage secondaire. Le mode relatif (%) calcule la valeur relative en pourcentage de chaque lecture et affiche le résultat sur l'écran principal.

Pour quitter le mode relatif (%), appuyez sur le bouton ANNULER.

Sauvegarde / chargement de la mémoire

Lors de la mesure, vous pouvez enregistrer la lecture dans la mémoire et la charger à partir de la mémoire. Le compteur peut stocker un maximum de 1000 données en mémoire. La quantité de données enregistrées s'affiche sur l'écran secondaire.

Pour utiliser le mode de sauvegarde / chargement de la mémoire, déplacez le curseur clignotant du menu sur la position MEM et appuyez sur le bouton ENTER pour entrer en mode. Dans ce mode, vous pouvez utiliser les options ci-dessous:

Options de mémoire	
A-SAUVEGARDER	Vous pouvez utiliser le mode d'enregistrement automatique pour enregistrer automatiquement une nouvelle lecture. Lorsque vous utilisez les sondes pour mesurer une nouvelle lecture, le lecteur l'enregistre automatiquement. Dans certains cas, le mode d'enregistrement automatique ne fonctionnera pas. Par exemple, la lecture est inférieure à la limite (voir Auto-Hold) ou la lecture est OL. Appuyez sur la touche ENTER pour lancer le mode Auto-Save, appuyez sur la touche CANCEL pour quitter.
SAUVEGARDER	Appuyez sur le bouton ENTER pour enregistrer une nouvelle lecture dans la mémoire.
CHARGER	Vous pouvez appuyer sur le bouton ENTER pour consulter les données de la mémoire. Appuyez sur le bouton HAUT ou BAS pour sélectionner les données. Appuyez sur le bouton ANNULER pour revenir.
CLR	Appuyez sur le bouton ENTER pour effacer toutes les données de la mémoire.
MAX	Appuyez sur le bouton ENTER pour revoir le maximum de données de la mémoire.
MIN	Appuyez sur le bouton ENTER pour revoir les données minimales de la mémoire.

Pour quitter le mode de sauvegarde / chargement de la mémoire, appuyez sur le bouton ANNULER.

Enregistreur de données

Vous pouvez enregistrer beaucoup de lecture en mémoire sur une longue période, puis analyser et tracer un graphique. Le compteur peut stocker un maximum de 40,000 données en mémoire. La quantité de données enregistrées s'affiche sur l'écran secondaire.

La vitesse d'enregistrement peut être réglée entre 1 s et 600 s. L'erreur de la minuterie est inférieure à 3 secondes par heure.

Pour utiliser l'enregistreur de données, déplacez le curseur clignotant du menu sur la position LOG et appuyez sur le bouton ENTER pour entrer en mode. Dans ce mode, vous pouvez utiliser les options ci-dessous:

Options de l'enregistreur de données	
SAUVEGARDER	Appuyez sur le bouton ENTER pour démarrer l'enregistreur de données. L'enregistreur enregistre automatiquement à intervalles réguliers. Vous pouvez appuyer sur le bouton ENTER pour mettre en pause l'enregistreur de données, appuyez à nouveau pour continuer. Pour arrêter l'enregistreur de données, appuyez sur le bouton ANNULER pour revenir.
CHARGER	Vous pouvez appuyer sur le bouton ENTER pour consulter les données de la mémoire. Appuyez sur le bouton HAUT ou BAS pour sélectionner les données. Appuyez sur le bouton ANNULER pour revenir.
CLR	Appuyez sur le bouton ENTER pour effacer toutes les données de la mémoire.
TAUX	Vous pouvez configurer le taux d'enregistrement de l'enregistreur. Appuyez sur le bouton HAUT ou BAS pour sélectionner le taux. Appuyez sur le bouton ANNULER pour revenir.
MAX	Appuyez sur le bouton ENTER pour revoir le maximum de données de la mémoire.
MIN	Appuyez sur le bouton ENTER pour revoir les données minimales de la mémoire.

Pour quitter l'enregistreur de données, appuyez sur le bouton ANNULER.

Mise hors tension automatique

Si vous n'actionnez pas le commutateur rotatif ou les boutons pendant une durée spécifiée, le lecteur s'éteindra automatiquement pour économiser l'énergie des piles. La minuterie APO par défaut est de 10 minutes. En mode de configuration, vous pouvez modifier la minuterie APO.

Rétroéclairage

Le rétroéclairage est automatiquement activé dans un environnement sombre. Le mode de rétroéclairage est automatique par défaut. En mode de configuration, vous pouvez définir le mode de rétroéclairage.

Avertisseur sonore

Le compteur est équipé d'un buzzer à 2 kHz. Appui valide sur le bouton: Bip une fois. Et appuyez sur le bouton invalide: Bip deux fois. En mode configuration, vous pouvez activer ou désactiver le signal sonore. Mais le signal sonore du contrôle de continuité ne peut pas être désactivé.

Résolution de l'écran

Ce compteur a deux résolutions d'affichage : résolution normale (mode 3 %) et haute résolution (mode 4 %).

La résolution normale est définie par défaut. Vous pouvez régler la résolution en mode configuration.

Configuration

Pour utiliser le mode de configuration du compteur, déplacez le curseur clignotant du menu sur la position SETUP et appuyez sur le bouton ENTER pour accéder à la fonction. Appuyez sur le bouton HAUT ou BAS pour sélectionner l'élément; appuyez sur la GAUCHE ou la DROITE pour sélectionner les options. Une fois la configuration terminée, appuyez sur le bouton CANCEL pour quitter le mode de configuration.

Options de configuration	
APO	Minuterie APO: 1 min à 30 min, ou OFF
b.Lit	Mode rétroéclairage: Auto, activé ou désactivé
bip	Signal sonore activé ou désactivé
A.Hold	Mode Auto-Hold activé ou désactivé
Cntin	Seuil de continuité: 10Ω à 50Ω
Chiffre	Affichage du chiffre : Lo ou Hi
TEMP	Unité de température par défaut: °C ou °F
RÉINITIALISER	Appuyez sur ENTER pour réinitialiser toutes les options de configuration.

Communications IR

Vous pouvez utiliser le lien de communication IR (infrarouge) et le logiciel WinDMM pour transférer les données en temps réel du compteur vers le PC. En outre, le compteur permet à l'utilisateur de conserver les données dans la mémoire interne et de les connecter ultérieurement à l'ordinateur pour les télécharger.

Pour des informations détaillées, reportez-vous au Guide d'installation de WinDMM ou à l'aide en ligne.



Le compteur utilise la technologie sans fil Bluetooth Low Energy (BLE) V4.0 pour transférer la lecture en temps réel et les données stockées. La portée de communication en plein air est jusqu'à 10 m.

Téléchargez l'application "KPS Link" via le code QR suivant. Activez la fonction Bluetooth du multimètre et ouvrez «KPS Link» pour connecter le multimètre numérique. L'icône Bluetooth du lecteur se fige sur l'écran LCD une fois la connexion établie.

Maintenance

Vérifiez le fonctionnement du multimètre en mesurant une tension connue. En cas de doute, faites le réparer. N'essayez pas de réparer ce multimètre. Il ne contient aucune pièce réparable par l'utilisateur. La réparation ou l'entretien ne doit être effectué que par du personnel qualifié. Pour maintenir la meilleure précision, étalonnez le compteur une fois par an.

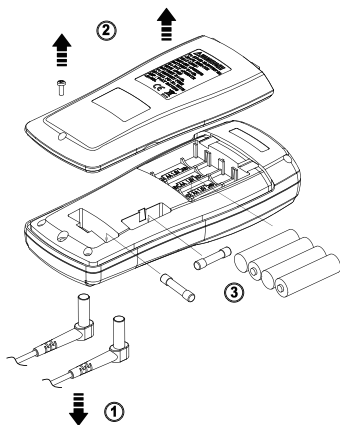
Nettoyage

Essayez régulièrement le boîtier avec un chiffon sec et un détergent. N'utilisez pas d'abrasifs ou de solvants.

Remplacer les piles et le fusible

⚠️ ⚠️ AVERTISSEMENT

- Retirez le cordon de test du compteur avant d'ouvrir le couvercle du compartiment à piles ou le boîtier du compteur.
- Remplacez le fusible dès que l'indicateur (FUSE) apparaît.
- Remplacez uniquement le fusible grillé par un fusible de calibre approprié, comme indiqué dans ce manuel.



Type de la batterie :
4 x 1,5 V IEC LR6 ou taille AA

Type de fusible 1:
440 mA, 1000 V IR 10kA Fusible

Type de fusible 2:
11A, 1000 V IR 20kA Fusible

Lorsque l'indication de pile faible apparaît sur l'écran, remplacez les piles rapidement. Pour économiser l'énergie des piles, vous pouvez désactiver le rétro-éclairage et le buzzer en mode configuration.

Spécifications générales

Tension MAX entre n'importe quelle borne et la terre : 1000Vrms

Protection par fusible pour les entrées mA : 440 mA, 1000 V IR 10kA Fusible

Protection par fusible pour les entrées A : 11A, 1000 V IR 20kA Fusible

Affichage: 4 000/40 000 comptes, sur une plage allant jusqu'à 110%.

Indication de surcharge : OL

Taux de mesure : 10 échantillons par seconde

Exigences d'alimentation: 4 x 1,5 V IEC LR6 ou taille AA

Vie de la batterie : 50 heures typiques avec alcaline (avec rétroéclairage éteint).

Température ambiante de fonctionnement: -10 °C à 30 °C (<85% HR),

30 °C à 40 °C (<75% HR),

40 °C à 50 °C (<75% HR),

Température de stockage :

-20 °C à 60 °C, 0% HR à 80% HR (piles non installées)

Coefficient de température

0,1 x (précision spécifiée) / °C, <18 °C ou > 28 °C

Altitude de fonctionnement: 6561,7 pieds (2000 m)

Cycle d'étalonnage: 1 fois par an.

Poids: 465g avec batterie.

Dimensions (H x L x L): 52 x 83 x 188 (mm) avec étui.

Communications RF: Bande ISM 2,4 GHz, en plein air 10 m

Sécurité : Conforme à la norme EN 61010-1

CAT IV 600V, CAT III 1000V

CAT	Champ d'application
I	Les circuits non connectés au secteur.
II	Les circuits directement connectés à l'installation basse tension.
III	L'installation du bâtiment.
IV	La source de l'installation basse tension.

EMC : IEC 61326-1:

Degré de pollution : 2

Vibration de choc: Selon MIL-PRF-28800F pour un instrument de classe 2

Protection contre les chutes: 5 pi (1,5 m)

Usage intérieur

Spécifications électriques

- La précision est de \pm (% de la lecture + nombre de chiffres) entre 18 ° C et 28 ° C (<80% HR)
- Pour les spécifications en mode 4% chiffres, multipliez le nombre de chiffres par 10.
- Pour les meilleures mesures, avec le mode relatif (A) pour compenser les décalages.

Tension

Fonction	GAMME	Précision
CA	40,00 mV [1] 400,0 mV [1] 4,000 V 40,00 V 400,0V [1] 1000V [2]	Onde sinusoïdale : 0,5% + 2d pour 40 Hz à 70 Hz [3] 1,5% + 4d pour 70 Hz à 1 kHz [3] 3,0% + 4d pour 1 kHz à 5 kHz [3] 5,0% + 20d pour 5 kHz à 100 kHz [4] [5]
	40,00 mV	0,03%+ 3d
CC	400,0 mV 4,000 V 40,00 V 400,0 V 1000 V	0,03% + 1d
	400,0V 1000V	2,0%+4d pour ACV 40Hz à 1kHz 2,0%+4d pour DCV

[1] La bande passante est de 40 Hz à 5 kHz

[2] La bande passante est de 40 Hz à 1 kHz

[3] En dessous de 10% de la portée, ajouter 2d à la précision.

[4] En dessous de 10% de la gamme, ajouter 10d à la précision. < 50kHz.

[5] En dessous de 10% de la gamme, ajouter 20d à la précision. > 50kHz.

Impédance d'entrée : 10MQ, < 100 pF

Impédance d'entrée Loz: 3kQ

Bande passante : 40 Hz à 100 Hz

Résolution minimale : 10uV

CMRR / RMN (rapport de rejet en mode commun / normal):

VAC : CMRR > 60 dB à CC, 50 Hz / 60 Hz

VDC : CMRR > 100 dB à CC, 50 Hz / 60 Hz

NMRR > 50 dB à CC, 50 Hz / 60 Hz

Courant

Fonction	GAMME	Précision
CA	40,00mA 400,0mA 4,000A [1] 10,00A [1][2]	Onde sinusoïdale : 0.8%+2d pour 40Hz à 70Hz [3] 2,0% + 4d pour 70 Hz à 1 kHz [3] 2,0% + 4d pour 1 kHz à 10 kHz [4]
CC	40,00mA 400,0mA 4,000A	0,2%+1d
	10,00A [2]	0,2%+2d

[1] La bande passante est de 40 Hz à 1 kHz
 [2] Lorsque > 10A, la précision n'est pas spécifiée et le temps de mesure maximum est de 30 secondes.
 [3] En dessous de 10% de la portée, ajouter 2d à la précision.
 [4] En dessous de 10% de la portée, ajouter 10d à la précision.

Impédance d'entrée : < 2Ω aux entrées mA, < 0,10 aux entrées A.

Bande passante : 40 Hz à 10 Hz

Résolution minimale : 10uA

Temps de mesure maximum:

1 minute aux entrées A, 10 minutes aux entrées mA.

CA et CC Spécifications supplémentaires

Fonction	GAMME	Précision
CA+CC	Identique à V & A	AC précision + 1,0%
HFR		Précision CA + 1,0% pour 40 Hz à 400 Hz
Peak-Hold		3,0% + 200d pour 40 Hz à 1 kHz [1]

[1] Pour une onde carrée, la précision n'est pas spécifiée.

La fréquence de coupure du HFR: 800Hz (point -3dB)

Atténuation Caractéristique du HFR: Type de conversion CA
d'environ -24 dB:

Le type de conversion CA est couplé en courant alternatif, à réponse efficace vraie, étalonné sur l'entrée sinusoïdale. Pour une onde non sinusoïdale, ajoutez les corrections suivantes du facteur de crête:

Pour un facteur de crête de 1.4 à 2,0, ajoutez 1,0% à la précision CA.

Pour un facteur de crête de 2,0 à 2.5, ajoutez 2.5% à la précision CA.

Pour un facteur de crête de 2.5 à 3,0, ajoutez 4,0% à la précision CA.

Compteur de fréquence

GAMME	Résolution	Précision
400,0Hz	0,1Hz	1d (mode 3% chiffres) 5d (mode 4% chiffres)
4,000Hz	1Hz	
40,00Hz	10Hz	
100,0Hz	100Hz	

Fréquence minimale détectée: 5Hz

Sensibilité du compteur de fréquence

Fonction	GAMME	Sensibilité (crête à crête)	
		5 à 10k Hz	10k à 100k Hz
mV	40,00 mV	110 mV	10 mV
	400,0 mV	40 mV	100 mV
V	4,000 V	0.4 V	1 V
	40,00 V	4 V	10 V
	400,0 V	40 V	Non spécifié
	1000 V	400 V	
mA	40,00mA	10mA	Non spécifié
	400.mA	40mA	
A	4,000A	1A	
	10,00A	4A	

Résistance

GAMME	Résolution	Précision
400,0Ω	0,1Ω	0,2%+2d
4,000kΩ	1Ω	0,2%+1d
40,00kΩ	10Ω	
400,0kΩ	100Ω	
4,000MΩ	1kΩ	1,0%+1d
40,00MΩ	10kΩ	2,0%+20d

Tension maximale en circuit ouvert: Environ 2.5V

Courant d'essai court maximum: Environ 0,1mA

Contrôle de continuité

GAMME	Résolution	Précision
400,0Ω	0,1Ω	0,2%+2d

Tension maximale en circuit ouvert: Environ 2.5V

Courant d'essai court maximum: Environ 0,1mA

Seuil de continuité: Réglable de 10 à 50 Q, par défaut 30Ω.

Indicateur de continuité: Signal sonore 2KHz

Test des diodes

GAMME	Résolution	Précision
2,000 V	1 mV	1,5%+2d

Tension maximale en circuit ouvert: Environ 2.5V

Courant d'essai court maximum: Environ 1mA

Capacité

GAMME	Résolution	Entrain de mesurer le temps	Précision
40,00nF	10pF	1 sec	0,9%+20d
400,0nF	100pF	1 sec	0,9%+10d
4,000uF	1nF	1 sec	0,9%+2d
40,00uF	10nF	1 sec	
400,0uF	100nF	1 sec	
4,000mF	1uF	4 sec	0,9%+10d
40,00mF	10uF	8 sec	0,9%+20d

Température

GAMME	Résolution	Précision
-200'0 à +1200'0	0,1°C	1,0%+30d
-328°F à +2192°F	0,1°F	1,0%+54d

[1] N'inclut pas l'erreur de la sonde thermocouple.

[2] La spécification de précision suppose une température ambiante stable à ± 1 °C. Pour les changements de température ambiante de ± 2 °C, la précision nominale s'applique après 1 heure.

Sicherheitshinweise

Verstehen und befolgen Sie die Betriebsanleitung sorgfältig. Verwenden Sie das Messgerät nur so, wie es in dieser Anleitung beschrieben ist; andernfalls kann der vom Messgerät gebotene Schutz beeinträchtigt werden.

WARNUNG

Dies identifiziert gefährliche Bedingungen und Handlungen, die zu KÖRPER-SCHADEN oder TOD führen können. Um mögliche Gefahren zu vermeiden, beachten Sie die folgenden Hinweise.

- Verwenden Sie das Messgerät nur wie in dieser Anleitung beschrieben, da sonst der Schutz durch das Messgerät beeinträchtigt werden kann.
- Betreiben Sie das Messgerät niemals mit abgenommener Abdeckung oder geöffnetem Gehäuse.
- Um falsche Messwerte zu vermeiden, die zu Stromschlag und Verletzungen führen können, tauschen Sie die Batterie aus, sobald die Anzeige für schwache Batterie erscheint.
- Seien Sie vorsichtig bei Spannungen über 30VAC rms, 42VAC Spitze oder ± 30 VDC. Diese Spannungen stellen eine Stromschlaggefahr dar.
- Wenn Sie Messleitungen oder Prüfspitzen verwenden, halten Sie Ihre Finger hinter dem Fingerschutz.
- Entfernen Sie die Messleitung vom Messgerät, bevor Sie das Batteriefach oder das Messgerätegehäuse öffnen.
- Verwenden Sie für die Messungen immer die richtigen Klemmen, Schalterstellungen und Bereiche.
- Legen Sie nicht mehr als die auf dem Messgerät angegebene Nennspannung zwischen den Klemmen oder zwischen einer Klemme und der Erdung an.
- Verwenden Sie die Option Hochfrequenzunterdrückung (Tiefpassfilter) nicht, um das Vorhandensein von gefährlichen Spannungen zu überprüfen. Es können Spannungen vorhanden sein, die größer sind als die angezeigten. Führen Sie zunächst eine Spannungsmessung ohne Filter durch, um das mögliche Vorhandensein einer gefährlichen Spannung festzustellen. Wählen Sie dann die Filterfunktion.
- Um einen möglichen elektrischen Schlag oder Verletzungen zu vermeiden, versuchen Sie niemals, eine Strommessung im Stromkreis durchzuführen, wenn das Leerlaufpotential gegen Erde größer als 1000 V ist.
- Ersetzen Sie die Sicherung, sobald die Anzeige (FUSE) erscheint.
- Ersetzen Sie die durchgebrannte Sicherung nur mit dem richtigen Nennwert, wie in diesem Handbuch angegeben.
- Verwenden Sie das Messgerät nicht in der Nähe von explosiven Gasen, Dämpfen oder Stäuben.
- Um das Risiko eines Brandes oder elektrischen Schlages zu verringern, setzen Sie dieses Produkt nicht Regen oder Feuchtigkeit aus.





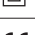



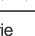
- **Versuchen Sie nicht, eine Strommessung durchzuführen, wenn die offene Spannung über dem Sicherungsnennwert liegt. Eine vermutete offene Spannung kann mit der Spannungsfunktion überprüft werden.**
- **Versuchen Sie niemals eine Spannungsmessung, wenn die Messleitung in die Eingangsklemme A eingesteckt ist.**

ACHTUNG

Dies identifiziert Bedingungen und Aktionen, die das Messgerät oder die zu prüfende Ausrüstung BESCHÄDIGEN könnten. Um mögliche Schäden zu vermeiden, beachten Sie die folgenden Richtlinien.

- Trennen Sie die Messleitungen von den Messpunkten, bevor Sie die Position des Funktionsdreh Schalters ändern.
- Trennen Sie den Stromkreis und entladen Sie alle Hochspannungskondensatoren, bevor Sie Widerstand, Durchgang, Dioden oder Kapazität prüfen.
- Verwenden Sie für die Messungen immer die richtigen Klemmen, Schalterstellungen und Bereiche.
- Verwenden Sie den LoZ-Modus nicht zum Messen von Spannungen in Schaltkreisen, die durch die niedrige Impedanz dieses Modus beschädigt werden könnten.
- Ersetzen Sie die Sicherung, sobald die Anzeige (FUSE) erscheint.
- Schließen Sie niemals eine Spannungsquelle an, wenn sich der Funktionsdrehschalter in der Position Widerstand, Diode, Durchgang und Kapazität befindet.
- Stellen Sie das Messgerät niemals in der Stromfunktion ein, um die Spannung eines Stromkreises in einem Gerät zu messen, da dies zu einer Beschädigung des Messgeräts und des zu prüfenden Geräts führen könnte.

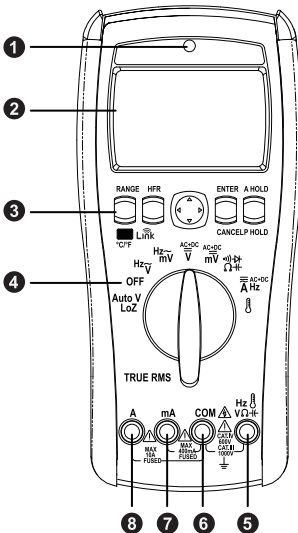
Elektrische Symbole

	Gefährliche Spannung		Gefährdungsrisiko. Wichtige Informationen. Siehe Handbuch
	AC (Wechselstrom)		
	DC (Gleichstrom)		Sicherung
	Bluetooth		Doppelt isoliert
	Schwache Batterie		Entspricht den Richtlinien der Europäischen Union
	Geerdet		Entsorgen Sie dieses Produkt nicht und werfen Sie es nicht weg
CAT III CAT IV	<p>IEC Überspannungskategorie</p> <p>CAT III-Geräte sind für den Schutz vor Transienten in Geräten in festen Anlagen, wie z. B. in Verteilertafeln, Einspeisungen und kurzen Abzweigstromkreisen sowie Beleuchtungsanlagen in großen Gebäuden vorgesehen.</p> <p>CAT IV-Geräte sind für den Schutz vor Transienten aus der primären Versorgungsebene, wie z. B. einem Stromzähler oder einem ober- oder unterirdischen Versorgungsnetz, ausgelegt.</p>		

Fehlermeldung

ProbE	Prüfsondenalarm. Wird angezeigt, wenn sich die Prüfsonden in der A- oder mA-Klemme befinden und die gewählte Drehschalterstellung nicht mit der verwendeten Klemme übereinstimmt.
SICHERUNG	Sicherung defekt. Ersetzen Sie die Sicherung so bald wie möglich.
Er	Zählerfehler. Zähler warten lassen.

Das Messgerät Beschreibung



- Abbildung der Frontplatte:
1. Automatischer Messpunkt für die Hintergrundbeleuchtung
 2. Duale Anzeige mit 40.000 Zählern
 3. Drucktasten
 4. Drehschalter
 5. Eingangsklemme für Spannungs-, Frequenz-, Widerstands-, Durchgangs-, Dioden-, Kapazitäts- und Temperaturmessungen.
 6. Rücklaufklemme für alle Messungen.
 7. Eingangsklemme für Strommessungen von 0 bis 400mA.
 8. Eingangsklemme für Strommessungen von 0 bis 10A.

Drucktasten

Funktion (rot)	Messfunktion auswählen.
BEREICH	Messbereich auswählen. Drücken Sie > 1 s, um in den Auto-Reichweiten-Modus zu gelangen.
HFR	Aktivieren/Deaktivieren Sie den Modus „Hochfrequenzabweisung“ bei den AC-Messungen.
Link	Aktivieren/Deaktivieren Sie den Bluetooth-Modus.
A-HALTEN	Aktivieren/Deaktivieren Sie den Auto-Halten-Modus.
P-HALTEN	Aktivieren Sie den Peak-Hold-Modus bei den AC- oder DC-Messungen. Drücken Sie in diesem Modus die Taste, um Spitze-Halten MAX oder MIN auszuwählen. Drücken Sie > 1 s, um den Spitze-Halten-Modus zu deaktivieren.
EINGABE	Menüfunktion in Zeigerposition eingeben.
ABBRECHEN	Aktuelle Menüfunktion abbrechen.

Einschloptionen

Wenn Sie das Gerät einschalten, drücken Sie die Funktionstaste, um die folgenden Optionen auszuführen.

EINGABE	Anzeige der Firmware-Version.
A HALTEN	Alle LCD-Segmente anzeigen.

Grundlegende Messungen durchführen



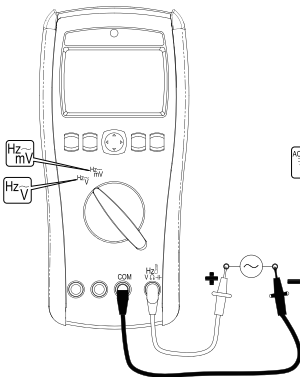
- Schließen Sie beim Anschließen der Messleitungen an das DUT (Zu prüfendes Gerät) die gemeinsame Messleitung an, bevor Sie die stromführende Leitung anschließen. Wenn Sie die Messleitungen entfernen, entfernen Sie die stromführende Messleitung, bevor Sie die gemeinsame Messleitung entfernen.
- In den folgenden Abschnitten wird beschrieben, wie Sie mit dem Messgerät Messungen durchführen.

Messen von Wechsel- und Gleichspannung

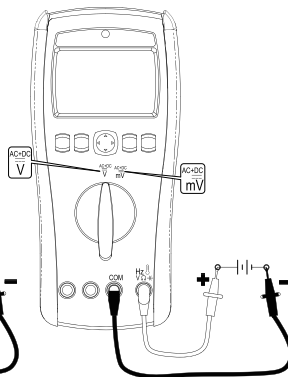
Dieses Messgerät verfügt über echte Effektivwerte, die für verzerrte Sinuswellen und andere Wellenformen (ohne Gleichstromversatz) wie Rechteckwellen, Dreieckswellen und Treppenstufenwellen genau sind.

Die Bereiche der Messspannung sind 40mV, 400mV, 4V, 40V, 400V und 1000V. Um den mV-Bereich auszuwählen, drehen Sie den Drehschalter auf die Position mV.

Wechselspannung



Gleichspannung



Die beste Genauigkeit bei der DCmV-Messung erhalten Sie, wenn Sie die Tastspitzen aneinanderlegen und den DC-Offset ablesen. Falls erforderlich, können Sie den relativen (A) Modus verwenden, um diesen Wert automatisch zu subtrahieren.

dB-Messung durchführen

Das Messgerät ist in der Lage, die Spannung als dB-Wert anzuzeigen, entweder relativ zu 1 Milliwatt (dBm), einer Referenzspannung von 1 Volt (dB).

Bei einer dBm-Messung muss eine Referenzimpedanz (600Ω) verwendet werden, um einen dB-Wert auf der Basis von 1 Milliwatt zu berechnen. Eine dB-Messung verwendet eine 1-Volt-Referenzspannung, mit der die aktuelle Messung verglichen wird. Definieren Sie wie folgt:

$$dBm = 20 \log \left(\frac{V_{rms}}{\sqrt{600\Omega \times 1mW}} \right)$$

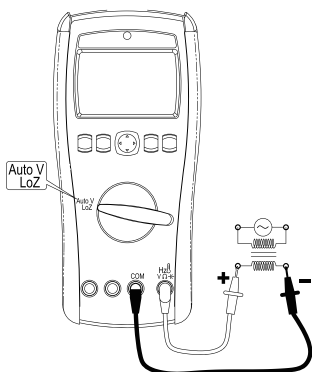
$$dBm = 20 \log \left(\frac{V_{rms}}{1V} \right)$$

Um die dB- oder dBm-Funktion zu verwenden, drehen Sie den Drehschalter auf die Position ACV oder ACmV. Bewegen Sie dann den blinkenden Cursor des Menüs auf die Position dB oder dBm und drücken Sie die ENTER-Taste, um die Funktion aufzurufen. Drücken Sie die Taste ABBRECHEN, um die Funktion zu verlassen.

Spannungsmessung im LoZ-Modus

⚠ ACHTUNG

Verwenden Sie den LoZ-Modus nicht zum Messen von Spannungen in Schaltkreisen, die durch die niedrige Impedanz dieses Modus beschädigt werden könnten.



Um Geisterspannungen zu eliminieren, bietet der LoZ-Modus des Messgeräts eine niedrige Impedanz über den Leitungen, um eine genauere Messung zu erhalten. Die Messbereiche der LoZ-Spannung sind 400V und 1000V. In diesem Modus misst das Messgerät automatisch das Eingangssignal, das AC oder DC ist, und bestimmt den Bereich.

Um den LoZ-Modus zu verwenden, drehen Sie den Drehwähler in die Position LoZ.

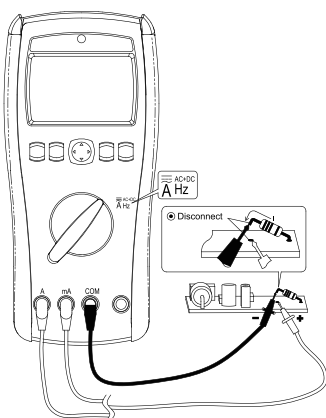
Messen von Wechsel- und Gleichspannung

⚡ ⚠ WARNUNG

- Verwenden Sie für die Messungen immer die richtigen Klemmen, Schalterstellungen und Bereiche.
- Um einen möglichen elektrischen Schlag oder Verletzungen zu vermeiden, versuchen Sie niemals, eine Strommessung im Stromkreis durchzuführen, wenn das Leerlaufpotential gegen Erde größer als 1000 V ist.
- Ersetzen Sie die durchgebrannte Sicherung nur mit dem richtigen Nennwert, wie in diesem Handbuch angegeben.

⚠ ACHTUNG

- Ersetzen Sie die Sicherung, sobald die Anzeige (SICHERUNG) erscheint.



Um Strom zu messen, müssen Sie den zu prüfenden Stromkreis unterbrechen und dann das Messgerät in Reihe mit dem Stromkreis schalten.

Die Messstrombereiche sind 40mA, 400mA, 4A und 10A. Der Wechselstrom wird als Effektivwert angezeigt. Stecken Sie die schwarze Leitung in die COM-Klemme. Bei Strömen unter 400 mA stecken Sie die rote Leitung in die mA-Klemme. Bei Strömen über 400 mA stecken Sie die rote Leitung in die Klemme A.

Sie können die Funktionstaste (rot) drücken, um die aktuelle Messfunktion auszuwählen.

Messfrequenz

Das Messgerät misst die Frequenz eines Spannungs- oder Stromsignals, indem es zählt, wie oft das Signal pro Sekunde einen Schwellenwert überschreitet.

Diese Funktion kann nur bei Wechselspannungs- und Strommessungen verwendet werden. Die Bereiche der Messfrequenz sind 400Hz, 4kHz, 40kHz und 100kHz.

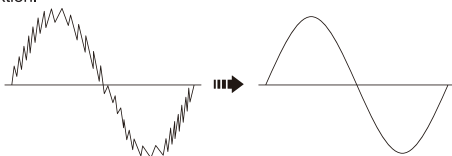
Wenn ein Messwert als 0 Hz angezeigt wird oder instabil ist, liegt das Eingangssignal möglicherweise unter oder in der Nähe des Triggerpegels. Die Details des Frequenztriggerpegels finden Sie in den elektrischen Spezifikationen.

Um die Frequenzfunktion zu verwenden, drücken Sie die Funktionstaste (rot), um die Messfunktion auszuwählen.

Messung der Hochfrequenzdämpfung durchführen



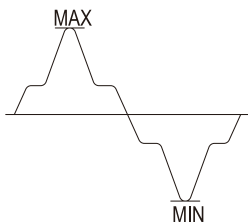
Verwenden Sie die Option Hochfrequenzunterdrückung (Tiefpassfilter) nicht, um das Vorhandensein von gefährlichen Spannungen zu überprüfen. Es können Spannungen vorhanden sein, die größer sind als die angezeigten. Führen Sie zunächst eine Spannungsmessung ohne Filter durch, um das mögliche Vorhandensein einer gefährlichen Spannung festzustellen. Wählen Sie dann die Filterfunktion.



Der Modus „Hochfrequenzunterdrückung“ rüstet einen Tiefpassfilter bei den AC-Messungen aus. Die Grenzfrequenz (-3dB-Punkt) des Tiefpassfilters beträgt 800Hz. Um den HFR-Modus zu verwenden, drücken Sie die HFR-Taste, um einen Tiefpassfilter in den AC-Messungen einzurichten.

Spitze-Halten-Messung durchführen

Der Spitze-Halten-Modus zeichnet die maximalen und minimalen Eingangsspitzenwerte der Welle auf. Die Reaktionszeit von Spitze-Halten beträgt 10µs.



Um den Spitze-Halten-Modus zu verwenden, drücken Sie die Taste P-HOLD, um den Spitze-Halten-Modus bei den AC- oder DC-Messungen zu aktivieren. Drücken Sie in diesem Modus die Taste P-HALTEN, um den Spitzenwert MAX oder MIN auszuwählen. Drücken Sie > 1 s, um den Spitze-Halten-Modus zu deaktivieren.

Verwenden Sie für Rechteckwellen den Spitze-Halten-Modus bei den DC-Messungen.

AC+DC-Messung durchführen

Wenn das Eingangssignal eine Kombination aus Wechsel- und Gleichstrom ist: Wechsel- über Gleichstrom oder Gleich- über Wechselstrom, das Messgerät ist in der Lage, einen AC+DC (rms) Wert kombiniert anzuzeigen. Definieren Sie wie folgt:

$$(AC + DC) V_{rms} = \sqrt{ACV^2 + DCV^2}$$

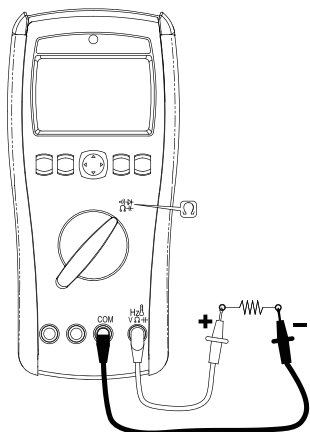
$$(AC + DC) A_{rms} = \sqrt{ACA^2 + DCA^2}$$

Um die AC+DC-Funktion zu verwenden, drehen Sie den Drehschalterstop in die Position DCV, DCmV oder A und drücken Sie dann die Funktionstaste (rot), um die Messfunktion auszuwählen.

Messwiderstand

⚠ ACHTUNG

Um eine mögliche Beschädigung des Messgeräts oder des zu prüfenden Geräts zu vermeiden, trennen Sie den Stromkreis und entladen Sie alle Hochspannungskondensatoren, bevor Sie den Widerstand messen.



Die Messwiderstandsbereiche sind 400Ω, 4kΩ, 40kΩ, 400kΩ, 4MΩ, und 40MΩ.

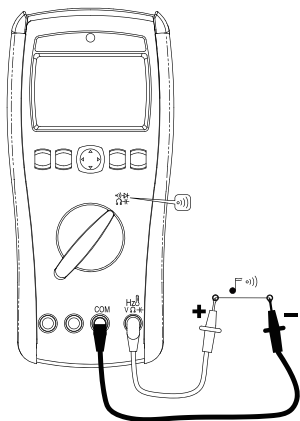
Die Messleitungen können bei Widerstandsmessungen einen Fehler von 0,1 Ω bis 0,2 Ω verursachen. Um die Leitungen zu prüfen, berühren Sie die Spitzen der Sonden und lesen Sie den Widerstand der Leitungen ab. Für beste Genauigkeit können Sie den relativen (A) Modus verwenden, um diesen Wert automatisch zu subtrahieren.

Hochohmige (>10MΩ) Messwerte sind anfällig für elektrisches Rauschen. Um die meisten verrauschten Messwerte zu glätten, rufen Sie den MAX/MIN-Aufzeichnungsmodus auf; gehen Sie dann zum Durchschnittswert (AVG).

Kontinuitätstest

⚠ ACHTUNG

Um eine mögliche Beschädigung des Messgeräts oder der zu prüfenden Ausrüstung zu vermeiden, unterbrechen Sie die Stromversorgung des Stromkreises und entladen Sie alle Hochspannungskondensatoren, bevor Sie die Kontinuität prüfen.



Die Durchgangsprüfung verfügt über einen Summer, der so lange ertönt, wie ein Stromkreis geschlossen ist. Der Summer ermöglicht Ihnen eine schnelle Durchgangsprüfung, ohne auf die Anzeige zu achten.

Wenn der Messwiderstand kleiner als der Schwellenwert ist, ertönt der Summer. Sie können den Schwellenwert im Setup-Modus einstellen.

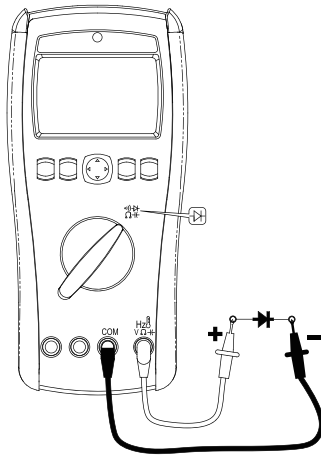
Die Kontinuitätsschwelle ist standardmäßig 30Ω.

Um die Durchgangsprüfung zu verwenden, drehen Sie den Drehschalter in die Position Widerstand und drücken Sie dann die Funktionstaste (rot), um den Messmodus zu wählen.

Dioden testen

⚠ ACHTUNG

Um eine mögliche Beschädigung des Messgeräts oder der zu prüfenden Ausrüstung zu vermeiden, unterbrechen Sie die Stromversorgung des Stromkreises und entladen Sie alle Hochspannungskondensatoren, bevor Sie Dioden testen.



Verwenden Sie die Diodenfunktion, um Dioden, Transistoren, siliziumgesteuerte Gleichrichter (SCRs) und andere Halbleiterbauelemente zu prüfen. Diese Funktion testet einen Halbleiterübergang, indem sie einen Strom durch den Übergang schickt und dann den Spannungsabfall des Übergangs misst. Eine gute Silizium-Sperrschicht fällt zwischen 0,5V und 0,8V.

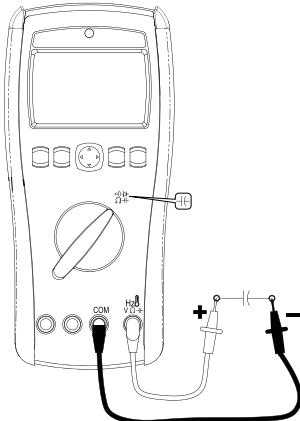
Um die Vorwärtsspannung an einem Halbleiterbauteil zu messen, legen Sie die rote Messleitung an den positiven Anschluss des Bauteils und die schwarze Messleitung an den negativen Anschluss des Bauteils. In einer Schaltung sollte eine gute Diode immer noch eine Durchlassvorspannung von 0,5V bis 0,8V erzeugen.

Um die Diodenfunktion zu verwenden, drehen Sie den Drehschalter in die Position Widerstand und drücken Sie dann die Funktionstaste (rot), um den Messmodus zu wählen.

Kapazitätsmessung

⚠ ACHTUNG

Um eine mögliche Beschädigung des Messgeräts oder des zu prüfenden Geräts zu vermeiden, unterbrechen Sie die Stromversorgung des Stromkreises und entladen Sie alle Hochspannungskondensatoren vor der Kapazitätsmessung. Verwenden Sie die Gleichspannungsfunktion, um zu bestätigen, dass der Kondensator entladen ist.

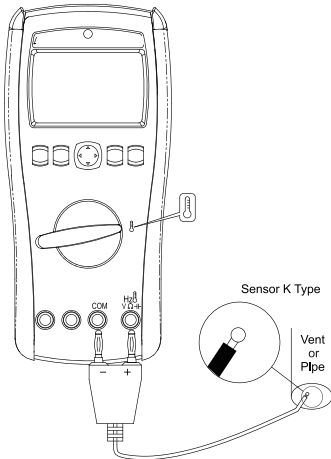


Die Bereiche der Messkapazitäten sind 40nF, 400nF, 4uF, 40uF, 400uF, 4mF und 40mF.

Um die Genauigkeit von Messungen unter 1000nF zu verbessern, können Sie den relativen (A) Modus verwenden, um die Restkapazität der Leitungen zu subtrahieren.

Um die Kapazitätsmessung zu verwenden, drehen Sie den Drehschalter in die Position Widerstand und drücken Sie dann die Funktionstaste (rot), um den Messmodus zu wählen.

Betriebstemperatur



Das Messgerät misst die Temperatur eines K-Typ-Thermoelementes. Sie können die Funktionstaste (rot) drücken, um Grad Celsius (°C) oder Grad Fahrenheit (°F) zu wählen.

Die Anzeigebereiche sind -200°C bis +1200°C und -328°F bis +2192°F. Messwerte außerhalb dieser Bereiche zeigen „OL“ auf dem Display an. Wenn kein Thermoelement angeschlossen ist, zeigt das Display ebenfalls „OL“ an.

Um die Temperaturmessung zu verwenden, drehen Sie den Drehschalter auf die Position Temperatur und drücken Sie dann die Funktionstaste (rot), um den Messmodus zu wählen.

Auto-Halten

Während der Messung können Sie die Taste A-HALTEN drücken, um den Auto-Halten-Modus zu starten. In diesem Modus hält das Messgerät den Messwert und zeigt ihn auf der Sekundäranzeige an.

Wenn die Differenz zwischen dem neuen Messwert und dem gehaltenen Messwert größer als 5d ist (3 %-Stellen-Modus) und der neue Messwert ebenfalls stabil ist, hält das Messgerät automatisch einen neuen Messwert auf der Sekundäranzeige.

Wenn der Messwert kleiner ist als der Auto-Hold-Grenzwert oder der Messwert OL ist, funktioniert der Auto-Hold-Modus nicht.

Funktion	Grenzwert
V, A, LoZ, Hz, Cap	1 % vom Bereich
Andere	Kein Grenzwert

Um den Auto-Hold-Modus zu beenden, drücken Sie erneut die Taste A-HALTEN. Wenn Sie den Auto-Halten-Modus nicht verwenden möchten, können Sie ihn im Setup-Modus deaktivieren. Wenn der Auto-Halten-Modus deaktiviert ist, wird kein neuer Messwert im Halten-Modus aktualisiert.

Maximale / minimale Aufnahme

Bei der Messung können Sie den Maximal-, Minimal- und Durchschnittswert des Messwerts aufzeichnen.

Um den Maximum-/Minimum-Aufnahmemodus zu verwenden, bewegen Sie den blinkenden Cursor des Menüs auf die Position MAX, MIN oder AVG und drücken Sie die EINGABE-Taste, um den Modus zu aktivieren. In diesem Modus zeichnet das Messgerät alle Daten auf, um den maximalen und minimalen Wert zu vergleichen. Außerdem berechnet das Messgerät den Durchschnitt des Messwerts. Sie können den blinkenden Cursor des Menüs auf die Position MAX, MIN oder AVG bewegen und die EINGABE-Taste drücken, um das Ergebnis auf der Sekundäranzeige auszuwählen.

Wenn Sie im Maximum-/Minimum-Aufnahmemodus die Aufnahme unterbrechen möchten, drücken Sie die Taste A-HALTEN. Drücken Sie erneut, um fortzufahren.

Um den Maximum-/Minimum-Aufnahmemodus zu verlassen, drücken Sie die Taste ABBRECHEN.

Relativ A

Beim Messen können Sie den Offset im relativen Modus (A) subtrahieren.

Um den relativen (A) Modus zu verwenden, bewegen Sie den blinkenden Cursor des Menüs auf die Position A und drücken Sie die EINGABE-Taste, um den Modus aufzurufen. In diesem Modus zeichnet das Messgerät den aktuellen Messwert als Referenz auf und zeigt ihn in der Sekundäranzeige an. Im relativen (A) Modus wird die Referenz von jedem Messwert subtrahiert und das Ergebnis auf dem Hauptdisplay angezeigt.

Im relativen (A) Modus ist der Mindestbereich der relative (A)-Bereich. Zum Beispiel: Die Bereiche des Messwiderstands sind 400Q, 4kΩ, 40kΩ, 400kΩ, 4MΩ und 40MΩ. Wenn Sie den relativen (A) Modus im 4kΩ-Bereich verwenden, dann ist der Mindestbereich der 4kΩ-Bereich. Sie können einen Bereich von 4kΩ bis 40MΩ verwenden, nicht auf 400Q ändern.

Um den relativen (A) Modus zu verlassen, drücken Sie die Taste ABBRECHEN.

Relativ %

Beim Messen können Sie den relativen (%) Modus verwenden, um den relativen Prozentwert zu berechnen. Der relative Prozentwert wird wie folgt definiert:

$$\text{Relative \%} = [(\text{Reading} - \text{Ref}) \div \text{Ref}] \times 100.0\%$$

Um den relativen (%) Modus zu verwenden, bewegen Sie den blinkenden Cursor des Menüs auf die Position % und drücken Sie die EINGABE-Taste, um den Modus aufzurufen. In diesem Modus zeichnet das Messgerät den aktuellen Messwert als Referenz auf und zeigt ihn in der Sekundäranzeige an. Der relative (%) Modus berechnet den relativen Prozentwert aus jedem Messwert und zeigt das Ergebnis in der Hauptanzeige an.

Um den relativen (%) Modus zu verlassen, drücken Sie die Taste ABBRECHEN.

Speicher Speichern / Laden

Beim Messen können Sie den Messwert im Speicher speichern und aus dem Speicher laden. Das Messgerät kann maximal 1000 Daten im Speicher ablegen. Die aufgezeichnete Datenmenge wird in der Nebenanzeige angezeigt.

Um den Speicherspeicher-/Lademodus zu verwenden, bewegen Sie den blinkenden Cursor des Menüs auf die Position MEM und drücken Sie die EINGABE-Taste, um den Modus aufzurufen. In diesem Modus können Sie die folgenden Optionen bedienen:

Speicheroptionen	
A-SPEICHERN	Sie können den Auto-Speicher-Modus verwenden, um neue Messwerte automatisch zu speichern. Wenn Sie mit den Sonden einen neuen Messwert messen, speichert das Messgerät diesen automatisch. In manchen Fällen funktioniert der Auto-Speicher-Modus nicht. Zum Beispiel ist der Messwert kleiner als der Grenzwert (siehe Auto-Halten), oder der Messwert ist OL. Drücken Sie die EINGABE-Taste, um den Auto-Save-Modus zu starten, drücken Sie die CANCEL-Taste, um ihn zu beenden.
SPEICHERN	Drücken Sie die EINGABE-Taste, um einen neuen Messwert im Speicher zu speichern.
LADEN	Sie können die EINGABE-Taste drücken, um die Daten aus dem Speicher zu überprüfen. Drücken Sie die Tasten AUFWÄRTS oder ABWÄRTS, um Daten auszuwählen. Drücken Sie die Taste ABBRECHEN, um zurückzukehren.
CLR	Drücken Sie die EINGABE-Taste, um alle Daten aus dem Speicher zu löschen.
MAX	Drücken Sie die EINGABE-Taste, um die maximalen Daten aus dem Speicher zu überprüfen.
MIN	Drücken Sie die EINGABE-Taste, um die Mindestdaten aus dem Speicher zu überprüfen.

Um den Speicherspeicher-/Lademodus zu verlassen, drücken Sie die Taste ABBRECHEN.

Datenlogger

Sie können eine Menge von Messwerten in einem Speicher aufzeichnen, dann analysieren und grafisch darstellen. Das Messgerät kann maximal 40.000 Daten im Speicher ablegen. Die aufgezeichnete Datenmenge wird in der Nebenanzeige angezeigt.

Die Aufzeichnungsrate kann zwischen 1 Sekunde und 600 Sekunden eingestellt werden. Der Fehler des Timers ist kleiner als 3 Sekunden pro Stunde.

Um den Datenlogger zu verwenden, bewegen Sie den blinkenden Cursor des Menüs auf die Position LOG und drücken Sie die EINGABE-Taste, um den Modus zu aktivieren. In diesem Modus können Sie die folgenden Optionen bedienen:

Datenerfassung.	
SPEICHERN	Drücken Sie die EINGABE-Taste, um den Datenlogger zu starten. Der Logger zeichnet automatisch in regelmäßigen Abständen auf. Sie können die EINGABE-Taste drücken, um den Datenlogger anzuhalten, drücken Sie erneut, um fortzufahren. Um den Datenlogger zu stoppen, drücken Sie die Taste ABBRECHEN, um zurückzukehren.
LADEN	Sie können die EINGABE-Taste drücken, um die Daten aus dem Speicher zu überprüfen. Drücken Sie die Tasten AUFWÄRTS oder ABWÄRTS, um Daten auszuwählen. Drücken Sie die Taste ABBRECHEN, um zurückzukehren.
CLR	Drücken Sie die EINGABE-Taste, um alle Daten aus dem Speicher zu löschen.
RATE	Sie können die Aufzeichnungsrate des Loggers einstellen. Drücken Sie die Tasten AUFWÄRTS oder ABWÄRTS, um Rate auszuwählen. Drücken Sie die Taste ABBRECHEN, um zurückzukehren.
MAX	Drücken Sie die EINGABE-Taste, um die maximalen Daten aus dem Speicher zu überprüfen.
MIN	Drücken Sie die EINGABE-Taste, um die Mindestdaten aus dem Speicher zu überprüfen.

Um den Datenlogger zu verlassen, drücken Sie die Taste ABBRECHEN.

Automatische Abschaltung

Wenn Sie den Drehschalter oder die Tasten eine bestimmte Zeit lang nicht betätigen, schaltet sich das Messgerät automatisch aus, um den Strom der Batterien zu sparen. Der Standard-APO-Timer beträgt 10 Minuten. Im Setup-Modus können Sie den APO-Timer ändern.

Hintergrundbeleuchtung

Die Hintergrundbeleuchtung schaltet sich bei dunkler Umgebung automatisch ein. Der Modus für die Hintergrundbeleuchtung ist standardmäßig automatisch. Im Setup-Modus können Sie den Modus der Hintergrundbeleuchtung einstellen.

Summer

Das Messgerät ist mit einem 2kHz-Tonsummer ausgestattet. Gültiger Tastendruck: Piepst einmal. Und ungültiger Tastendruck: Piepst zweimal. Im Setup-Modus können Sie den Summer ein- oder ausschalten. Aber der Summer in der Durchgangsprüfung kann nicht ausgeschaltet werden.

Display-Auflösung

Dieses Messgerät verfügt über zwei Anzeigeaufösungen: normale Auflösung (3 %-Stellen-Modus) und hohe Auflösung (4 %-Stellen-Modus).

Die normale Auflösung ist auf Standard eingestellt. Sie können die Auflösung im Setup-Modus einstellen.

Setup

Um den Messgeräte-Setup-Modus zu verwenden, bewegen Sie den blinkenden Cursor des Menüs auf die Position SETUP und drücken Sie die EINGABE-Taste, um die Funktion aufzurufen. Drücken Sie die AUFWÄRTS- oder ABWÄRTS-Taste, um ein Element auszuwählen; drücken Sie die LINKS- oder RECHTS-Taste, um Optionen auszuwählen. Wenn Sie die Einrichtung abgeschlossen haben, drücken Sie die Taste ABBRECHEN, um den Einrichtungsmodus zu verlassen.

Speicheroptionen	
APO	APO-Schaltuhr: 1 Min bis 30 Min, oder AUS
b.Lit	Hintergrundbeleuchtungsmodus: Auto, EIN oder AUS
bBEEP	Summer EIN oder AUS
A.Halten	Auto-Halten, EIN oder AUS
Cntin	Kontinuitätsschwelle: 10Q bis 50Q
diGit	Ziffer anzeigen: Tief oder hoch
TEMP	Standardeinheit für die Temperatur: °C oder °F
RESET	Drücken Sie EINGABE, um alle Setup-Optionen zurückzusetzen.

IR Kommunikation

Sie können die IR (Infrarot)-Kommunikationsverbindung und die WinDMM-Software verwenden, um die Echtzeitdaten des Messgeräts auf den PC zu übertragen. Darüber hinaus ermöglicht das Messgerät dem Benutzer die Protokollierung im internen Speicher und die spätere Verbindung mit dem Computer zum Herunterladen.

Ausführliche Informationen finden Sie in der WinDMM-Installationsanleitung oder in der Online-Hilfe.



Das Messgerät verwendet die drahtlose Technologie Bluetooth low energy (BLE) V4.0, um den Echtzeitmesswert und die gespeicherten Daten zu übertragen. Die Reichweite der Kommunikation im Freien beträgt bis zu 10 m.

Laden Sie die App „KPS Link“ über den folgenden QR-Code herunter. Schalten Sie die Bluetooth-Funktion des Messgeräts ein und öffnen Sie „KPS Link“, um das DMM zu verbinden. Das Bluetooth-Symbol des Messgeräts wird auf dem LCD eingefroren, nachdem die Verbindung erfolgreich hergestellt wurde.

Wartung

Überprüfen Sie die Funktion des Messgeräts, indem Sie eine bekannte Spannung messen. Im Zweifelsfall lassen Sie das Messgerät warten. Versuchen Sie nicht, das Messgerät zu reparieren. Es enthält keine vom Benutzer zu wartenden Teilen. Reparaturen oder Wartungsarbeiten sollten nur von qualifiziertem Personal durchgeführt werden. Um die beste Genauigkeit zu erhalten, kalibrieren Sie das Messgerät einmal im Jahr.

Reinigung

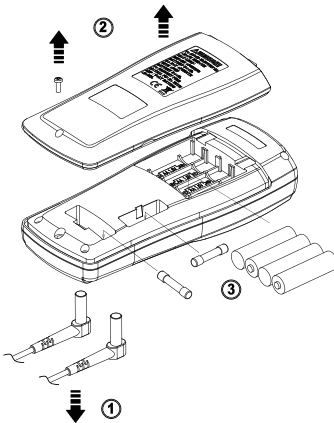
Wischen Sie das Gehäuse regelmäßig mit einem trockenen Tuch und Reinigungsmittel ab.

Verwenden Sie keine Scheuermittel oder Lösungsmittel.

Batterien und Sicherungen austauschen



- Entfernen Sie die Messleitung vom Messgerät, bevor Sie das Batteriefach oder das Messgerätegehäuse öffnen.
- Ersetzen Sie die Sicherung, sobald die Anzeige (FUSE) erscheint.
- Ersetzen Sie die durchgebrannte Sicherung nur mit dem richtigen Nennwert, wie in diesem Handbuch angegeben



Batterietyp:
4 x 1,5V IEC LR6 oder Größe AA

Sicherung1 Typ :
440mA, 1000V IR 10kA
Sicherung

Sicherung2 Typ:
11A, 1000V IR 20kA Sicherung

Wenn die Anzeige für schwache Batterien auf dem Display erscheint, sollten Sie die Batterien bald austauschen. Um Batteriestrom zu sparen, können Sie die Hintergrundbeleuchtung und den Summer im Setup-Modus deaktivieren.

Allgemeine Angaben

MAX Spannung zwischen einer beliebigen Klemme und Erde: 1000Vrms

Absicherung für mA-Eingänge: 440mA, 1000V IR 10kA Sicherung

Absicherung für A-Eingänge: 11A, 1000V IR 20kA Sicherung

Display: 4.000/40.000 Zählungen, über Bereich bis 110 %.

Über Bereich Anzeige: OL

Messrate: 10 Proben pro Sekunde

Leistungsanforderungen: 4 x 1,5V IEC LR6 oder Größe AA

Batterielebensdauer:

50 Stunden typisch mit Alkaline (bei ausgeschalteter Hintergrundbeleuchtung).

Betriebsumgebung: -10°C bis 30°C (< 85 % RH),

30°C bis 40°C (< 75 % RH),

40°C bis 50°C (< 45 % RH)

Lagertemperatur:

-20°C bis 60°C, 0 % RH bis 80 % RH (ohne Batterien)

Temperaturkoeffizient:

0,1 x (Spezifizierte Genauigkeit) / °C, < 18°C oder > 28°C

Betriebshöhe: 6561,7ft (2000m)

Kalibrierungszyklus: 1 Mal pro Jahr.

Gewicht: 465g inklusive Batterie.

Abmessungen (H x B x L) : 52 x 83 x 188 (mm) mit Holster.

RF Kommunikation: 2,4 GHz ISM-Band, im Freien 10m

Sicherheit : Entspricht EN 61010-1

CAT IV 600V, CAT III 1000V

CAT	Anwendungsbereich
I	Die Stromkreise sind nicht an das Netz angeschlossen.
II	Die Stromkreise, die direkt mit der Niederspannungsinstallation verbunden sind.
III	Die Gebäudeinstallation.
IV	Die Quelle der Niederspannungsinstallation.

EMV: EN 61326-1

Verschmutzungsgrad: 2

Schock-Vibrationen: Gemäß MIL-PRF-28800F für ein Gerät der Klasse 2

Fallschutz: 5 ft (1,5 m)

Verwendung in Innenräumen

Elektrische Spezifikationen

- Die Genauigkeit beträgt \pm (% des Messwerts + Anzahl der Ziffern) bei 18°C bis 28°C (< 80 % RH)
- Für Angaben im 4-stelligen Modus multiplizieren Sie die Anzahl der Stellen mit 10.
- Für die besten Messungen, mit relativem (A) Modus, um Offsets zu kompensieren.

Spannung

Funktion	Bereich	Genauigkeit
AC	40,00 mV [1]	Sinuswelle: 0,5 % +2d für 40Hz bis 70Hz [3] 1,5 % +4d für 70Hz bis 1 kHz [3] 3,0 % +4d für 1 kHz bis 5kHz [3] 5,0 % +20d für 5kHz bis 100kHz [4][5]
	400,0 mV [1]	
	4,000V	
	40,00V	
	400,0V [1]	
	1000V [2]	
DC	40,00mV	0,03 % +3d
	400,0mV	0,03 % +1d
	4,000V	
	40,00V	
	400,0V	
1000V		
AutoV LoZ	400,0V	2,0 % +4d für ACV 40Hz bis 1kHz
	1000V	2,0 % +4d für DCV

[1] Die Bandbreite beträgt 40Hz bis 5kHz

[2] Die Bandbreite beträgt 40 Hz bis 1 kHz

[3] Unterhalb von 10 % des Bereichs, 2d zur Genauigkeit addieren.

[4] Unterhalb von 10 % des Bereichs, 10d zur Genauigkeit addieren. < 50kHz.

[5] Unterhalb von 10 % des Bereichs, 20d zur Genauigkeit addieren. > 50kHz.

Eingangsimpedanz: 10M Ω , < 100pF

LoZ Eingangsimpedanz: 3k Ω

Bandbreite: 40Hz bis 100kHz

Mindestauflösung: 10 μ V

CMRR / NMRR (Gleichtakt-/Normalsignalunterdrückungsverhältnis):

VAC: CMRR > 60dB bei DC, 50Hz / 60Hz

VDC: CMRR > 100dB at DC, 50Hz / 60Hz

NMRR > 50dB at DC, 50Hz / 60Hz

Strom

Funktion	Bereich	Genauigkeit
AC	40,00mA	Sinuswelle: 0,8 % +2d für 40Hz bis 70Hz [3] 2,0 % +4d für 70Hz bis 1 kHz [3] 2,0 % +4d für 1 kHz bis 10kHz [4]
	400,0mA	
	4,000A [1]	
	10,00A [1][2]	
DC	40,00mA	0,2 % +1d
	400,0mA	
	4,000A	0,2 % +2d
10,00A [2]		
<p>[1] Die Bandbreite beträgt 40 Hz bis 1 kHz [2] Wenn > 10A, ist die Genauigkeit nicht spezifiziert und die maximale Messzeit beträgt 30 Sek. [3] Unterhalb von 10 % des Bereichs, 2d zur Genauigkeit addieren. [4] Unterhalb von 10 % des Bereichs, 10d zur Genauigkeit addieren.</p>		

Eingangsimpedanz: < 2Ω bei mA Eingaben, < 0,1Ω bei A Eingaben.

Bandbreite : 40Hz bis 10kHz

Mindestauflösung: 10uA

Maximale Messzeit :

1 Minute bei A-Eingängen, 10 Minuten bei mA-Eingängen.

AC und DC Zusätzliche Spezifikationen

Funktion	Bereich	Genauigkeit
AC+DC	Gleich wie V & A	AC Genauigkeit + 1,0 %
HFR		AC-Genauigkeit + 1,0 % für 40 Hz bis 400 Hz
Spitze-Halten		3,0 % +200d für 40Hz bis 1 kHz [1]
[1] Bei Rechteckwellen ist die Genauigkeit nicht spezifiziert.		

Die Abschaltfrequenz des HFR: 800Hz (-3dB-Punkt) Dämpfungskennlinie des HFR: Ca. -24dB AC-Wandlungstyp:

Der AC-Wandlungstyp ist wechselstromgekoppelt, echtes Effektivwertverhalten, kalibriert auf den Sinuswelleneingang.

Für nicht-sinusförmige Wellen addieren Sie die folgenden

Crest-Faktor-Korrekturen:

Für Scheitelfaktor von 1,4 bis 2,0, 1,0 % zu AC Genauigkeit hinzufügen.

Für Scheitelfaktor von 2,0 bis 2,5, 2,5 % zu AC Genauigkeit hinzufügen.

Für Scheitelfaktor von 2,5 bis 3,0, 4,0 % zu AC Genauigkeit hinzufügen.

Frequenzzähler

Bereich	Auflösung	Genauigkeit
400,0 Hz	0,1 Hz	1d (3 %-Stellen-Modus) 5d (4 %-Stellen-Modus)
4,000kHz	1Hz	
40,00kHz	10Hz	
100,0kHz	100Hz	

Minimale erfasste Frequenz: 5Hz

Frequenzzähler-Empfindlichkeit

Funktion	Bereich	Empfindlichkeit (Spitze zu Spitze)	
		5 bis 10k Hz	10k bis 100k Hz
mV	40,00mV	10mV	10mV
	400,0mV	40mV	100mV
V	4,000V	0,4V	1V
	40,00V	4V	10V
	400,0V	40V	Nicht spezifiziert
	1000V	400V	
mA	40,00mA	10mA	Nicht spezifiziert
	400.mA	40mA	
A	4,000A	1A	
	10,00A	4A	

Widerstand

Bereich	Auflösung	Genauigkeit
400,0Q	0,1Q	0,2 % +2d
4,000kΩ	1Q	0,2 % +1d
40,00kΩ	10Q	
400,0kΩ	100Q	
4,000MΩ	ikn	1,0 % +1d
40,00MΩ	10kΩ	2,0 % +20d

Maximale Leerlaufspannung: Ca. 2,5V

Maximaler Kurzteststrom: Ca. 0,1mA

Kontinuitätstest

Bereich	Auflösung	Genauigkeit
400,0Q	0,1Q	0,2 %+2d

Maximale Leerlaufspannung: Ca. 2,5V

Maximaler Kurzteststrom: Ca. 0,1mA

Kontinuitätsschwelle: Einstellbar 10 bis 50 Q, Voreinstellung 30Q.

Kontinuitätsindikator: 2kHz-Ton-Summer

Dioden testen

Bereich	Auflösung	Genauigkeit
2,000V	1mV	1,5 %+2d

Maximale Leerlaufspannung: Ca. 2,5V

Maximaler Kurzteststrom: Ca. 1mA

Kapazität

Bereich	Auflösung	Messzeit	Genauigkeit
40,00nF	10pF	1 Sek	0,9 %+20d
400,0nF	100pF	1 Sek	0,9 %+10d
4,000uF	1nF	1 Sek	0,9 %+2d
40,00uF	10nF	1 Sek	
400,0uF	100nF	1 Sek	
4,000mF	1uF	4 Sek	0,9 %+10d
40,00mF	10uF	8 Sek	0,9 %+20d

Temperatur

Bereich	Auflösung	Genauigkeit
-200'0 to +1200'0	0,1'0	1,0 %+30d
-328°F bis +2192°F	0,1°F	1,0 %+54d

[1] Beinhaltet nicht den Fehler des Thermoelementfühlers.
 [2] Genauigkeitsspezifikation geht von einer Umgebungstemperatur aus, die auf ± 1 °C stabil ist. Bei Umgebungstemperaturänderungen von ± 2 °C gilt die Nenngenauigkeit nach 1 Stunde.

Informazioni per la sicurezza

Comprendere e seguire attentamente le istruzioni per il funzionamento. Utilizzare il tester solo come specificato nel presente manuale, la protezione fornita dal tester può essere deteriorata.

AVVERTENZA

Questo identifica condizioni e azioni pericolosi che potrebbero provocare DANNI ALLA PERSONA o MORTE. Al fine di evitare possibili pericoli, seguire le linee guida qui di seguito.

- Utilizzare il tester solo come specificato nel presente manuale, altrimenti la protezione fornita dal tester potrebbe essere deteriorata.
- Non lavorare mai con il tester con il coperchio rimosso o la cassa aperta.
- Al fine di evitare false letture che possono provocare scosse elettriche, sostituire la batteria non appena si accende l'indicatore di batteria quasi scarica.
- Agire con cautela con tensioni superiori a 30Vca rms, picco 42Vca, oppure $\pm 30Vcc$. Queste tensioni generano un pericolo di scosse.
- Quando si utilizzano conduttori di prova o sonde, tenere le dita dietro le protezioni per le dita stessa.
- Rimuovere i conduttori di prova prima di aprire la porta della batteria o la scatola del tester.
- Per le misure, utilizzare sempre i morsetti, la posizione dell'interruttore e la gamma appropriati.
- Non applicare una tensione superiore a quella nominale, contrassegnata sul tester, fra i morsetti oppure fra un morsetto e la messa a terra.
- Non utilizzare l'opzione Reiezione Alta Frequenza (Filtro Passa-Basso) per verificare la presenza di tensioni pericolose. Possono essere presenti tensioni superiori a quanto indicato. In primo luogo, eseguire una misura di tensione senza il filtro per rilevare la possibile presenza di tensioni pericolose. Selezionare poi la funzione filtro.
- Al fine di evitare possibili scosse elettriche o lesioni personali, non tentare mai di eseguire una misura di corrente nel circuito ove il potenziale di circuito aperto a terra sia superiore a 1000V.
- Sostituire il fusibile non appena compare l'indicatore (FUSE).
- Sostituire solo il fusibile esploso con il valore appropriato come specificato nel presente manuale.
- Non utilizzare il tester in ambienti con gas esplosivi, vapori o polvere.
- Al fine di ridurre il rischio di scosse elettriche, non esporre il prodotto a pioggia o a umidità.












- **Non tentare una misura di corrente quando la tensione aperta è superiore al valore di protezione del fusibile. UE' possibile verificare una sospetta tensione aperta con la funzione tensione.**
- **Non tentare mai di misurare una tensione con il conduttore di prova inserito nel morsetto di input A.**

ATTENZIONE

Questo identifica condizioni e azioni che potrebbero DANNEGGIARE il tester o l'apparecchiatura che si sta testando. Al fine di evitare possibili danni, seguire le linee guida qui di seguito.

- Disconnettere i conduttori di prova dai punti di test prima di cambiare la posizione dell'interruttore rotante delle funzioni.
- Disconnettere l'alimentazione del circuito e scaricare tutti i condensatori ad alta tensione prima di testare resistenza, continuità, diodi o capacitanza.
- Per le misure, utilizzare sempre i morsetti, la posizione dell'interruttore e la gamma appropriati.
- Non utilizzare il modo Loz per misurare tensioni in circuiti che potrebbero essere danneggiati dalla bassa impedenza di questo modo.
- Sostituire il fusibile non appena compare l'indicatore (FUSE).
- Non connettere mai una fonte di tensione all'interruttore rotante di funzioni in posizione resistenza, diodi, continuità e capacitanza.
- Non impostare mai il tester in funzione corrente per misurare la tensione di un circuito di alimentazione in apparecchiature che potrebbero danneggiare sia il tester sia l'apparecchiatura che si sta testando.

Simboli Elettrici

	Tensione pericolosa		Rischio di pericolo. Informazioni importanti. Vedere il manuale
	AC (Corrente Alternata)		
	DC (Corrente Continua)		Fusibile
	Bluetooth		Doppio Isolamento
	Batteria quasi scarica		Conforme alle direttive dell'Unione Europea
	Messa a Terra		Non gettare via il prodotto
CAT III CAT IV	<p>Categoria Sovratensione CEI</p> <p>Le apparecchiature CAT III sono progettate per proteggere contro transitori nelle apparecchiature in impianti ad apparecchiature fisse quali pulpiti di distribuzione, alimentatori e circuiti a ramo brevi e impianti di illuminazione in grandi edifici.</p> <p>Le apparecchiature CAT IV sono progettate per proteggere contro transitori provenienti dal livello di alimentazione principale, quali un tester elettrico o un impianto aereo o sotterraneo.</p>		

Messaggio di errore

ProbE	Allarme sonda di test. Viene visualizzato quando le sonde di test sono nel morsetto A o mA e la posizione dell'interruttore rotante selezionato non corrisponde al morsetto che si sta utilizzando.
FUSE	Fusibile rotto Sostituire il fusibile il prima possibile
Er	Errore tester. Fare esaminare il tester.

Descrizione del Tester

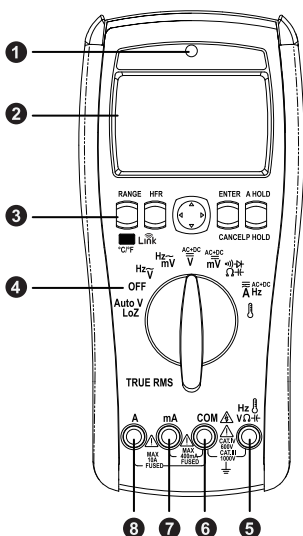



Illustrazione del Pannello anteriore

1. Punto sensore retroilluminazione automatica
2. Doppio display a 40.000 conteggi
3. Pulsanti
4. Interruttore Rotante
5. Morsetto di input per misure di tensione, frequenza, resistenza, continuità, diodi, capacitanza e temperatura.
6. Morsetto di ritorno per tutte le misure.
7. Morsetto di input per misure di corrente da 0 a 400mA.
8. Morsetto di input per misure di corrente da 0 a 10A.

Pulsanti

Funzione (rosso)	Selezionare la funzione di misura
RANGE	Selezionare la gamma di misura Premere per > 1 sec per inserire la modalità gamma automatica.
HFR	Abilitare/Disabilitare il modo Reiezione Alta Frequenza nelle misure ca
	Abilitare/Disabilitare la modalità Bluetooth
A-HOLD	Abilitare/Disabilitare la modalità Auto-Hold
P-HOLD	Abilitare la modalità Memorizzazione del Livello di Picco nelle misure ca o cc. In questa modalità, premere il pulsante per selezionare Memorizzazione del Livello di Picco MAX o MIN. Premere per > 1 sec per disabilitare la modalità Memorizzazione del Livello di Picco.
ENTER	Inserire la funzione del menù nella posizione del puntatore.
CANCEL	Annullare la funzione attuale del menù.

Opzioni Accensione

Quando si accende l'alimentazione, premere il pulsante funzione per eseguire le opzioni qui di seguito.

ENTER	Visualizzare la versione firmware.
A HOLD	Visualizzare tutti i segmenti LCD

Eeguire Misure di Base

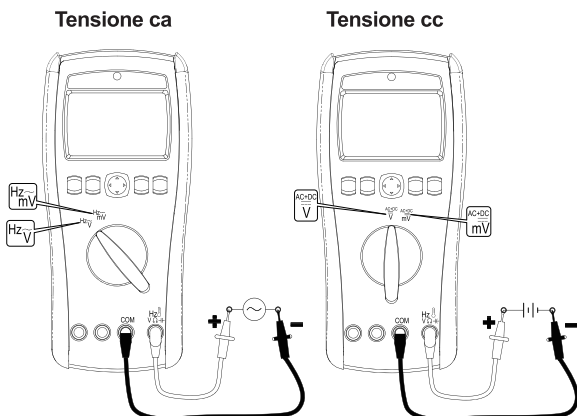


- Quando si connettono i conduttori di prova al DUT (Dispositivo in Test), connettere il conduttore di prova comune prima di connettere il conduttore in tensione. Quando si rimuovono i conduttori di prova, rimuovere il conduttore di prova in tensione prima di rimuovere il conduttore di prova comune.
- I paragrafi che seguono descrivono come eseguire misure con il tester.

Misurare la Tensione ca e cc

Questo tester ha letture reali rms, che sono precise per onde sinusoidali distorte e altre forme d'onda (senza sfasamento cc) quali onde quadre, onde triangolari e onde a gradini.

Le gamme di tensione di misura sono 40mV, 400mV, 4V, 40V, 400V e 1000V. Per selezionare la gamma mV, portare l'interruttore rotante in posizione mV.



Per la migliore precisione quando si misura DCmV, toccare insieme le punte della sonda e leggere lo sfasamento cc. Se necessario, si può utilizzare il modo relativo (A) per sottrarre automaticamente questo valore.

Eeguire la misura dB

Il tester è in grado di visualizzare la tensione quale valore dB, relativo a 1 milliwatt (dBm), una tensione di riferimento di 1 volt (dB).

Una misura dBm deve utilizzare un'impedenza di riferimento 600Ω per calcolare un valore dB basato su 1 milliwatt. Una misura dB utilizza una tensione di riferimento di 1 volt per confrontare la misura attuale. Definire come segue:

$$dBm = 20 \log \left(\frac{V_{rms}}{\sqrt{600\Omega \times 1mW}} \right)$$

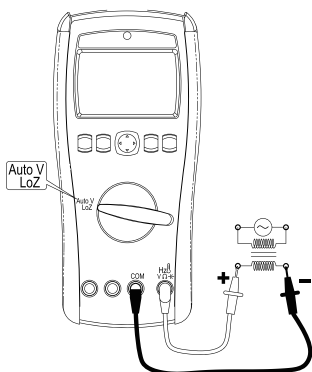
$$dB = 20 \log \left(\frac{V_{rms}}{1V} \right)$$

Per utilizzare la funzione dB o dBm, portare l'interruttore rotante in posizione ACV o ACmV.. Spostare poi il cursore di lampeggiamento del menù in posizione dB o dBm, e premere il pulsante ENTER per inserire la funzione. Premere il pulsante CANCEL per uscire dalla funzione.

Misurare la Tensione in Modalità LoZ

⚠ ATTENZIONE

Non utilizzare il modo LoZ per misurare tensioni in circuiti che potrebbero essere danneggiati dalla bassa impedenza di questo modo.



Al fine di evitare tensioni fantasma, il modo LoZ del tester presenta una bassa impedenza attraverso i conduttori al fine di ottenere una misura più precisa. La tensione delle gamme di misura del modo LoZ sono 400V e 1000V. In questa modalità, il tester misurerà automaticamente il segnale di input che è ca o cc, e determinerà la gamma.

Per utilizzare in modo LoZ, portare l'interruttore rotante in posizione LoZ.

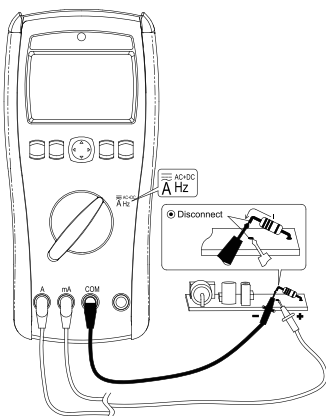
Misurare la Corrente ca e cc

⚡ ⚠ AVVERTENZA

- Per le misure, utilizzare sempre i morsetti, la posizione dell'interruttore e la gamma appropriati.
- Al fine di evitare possibili scosse elettriche o lesioni personali, non tentare mai di eseguire una misura di corrente nel circuito ove il potenziale di circuito aperto a terra sia superiore a 1000V.
- Sostituire solo il fusibile esploso con il valore appropriato come specificato nel presente manuale.

⚠ ATTENZIONE

- Sostituire il fusibile non appena compare l'indicatore (FUSE).



Sostituire il fusibile non appena compare l'indicatore (FUSE). Per misurare la corrente, occorre interrompere il circuito in prova e poi posizionare il tester in serie con il circuito.

Le gamme di misura della corrente sono 40mA, 400mA, 4A e 10A. La corrente ca è visualizzata come valore rms. Inserire il conduttore nero nel morsetto COM. Per correnti inferiori a 400 mA, inserire il conduttore rosso nel morsetto mA.. Per correnti superiori a 400 mA, inserire il conduttore rosso nel morsetto A.

Si può premere il pulsante funzione (rosso) per selezionare la funzione di misura della corrente.

Misura della Frequenza

Il tester misura la frequenza di un segnale di tensione o di corrente contando il numero di volte in cui il segnale attraversa un livello di soglia ogni secondo.

Questa funzione può essere messa in funzione in misure tensione e corrente ca. Le gamme di misura della frequenza sono 400Hz, 4kHz, 40kHz e 100kHz.

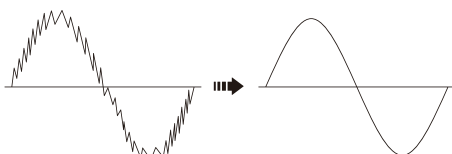
Se una lettura indica 0 Hz o è instabile, il segnale di input può essere inferiore o vicino al livello limite. Per i dettagli sul livello limite della frequenza, fare riferimento alle specifiche elettriche.

Per utilizzare la funzione frequenza, premere il pulsante funzione (rosso) per selezionare la funzione misura.

Eseguire la Misura della Reiezione Alta Frequenza

AVVERTENZA

Non utilizzare l'opzione Reiezione Alta Frequenza (Filtro a Passaggio Basso) per verificare la presenza di tensioni pericolose. Possono essere presenti tensioni superiori a quanto indicato. In primo luogo, eseguire una misura di tensione senza il filtro per rilevare la possibile presenza di tensioni pericolose. Selezionare poi la funzione filtro.

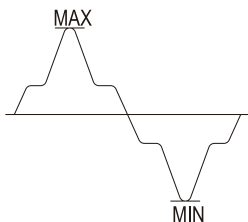


Nelle misure ca, il modo Reiezione Alta Frequenza è dotato di un filtro passa-basso. La frequenza di taglio (punto -3dB) del filtro passa-basso è 800Hz.

Per utilizzare il modo HFR, premere il pulsante HFR per dotare di un filtro passa-basso nelle misure ca.

Eseguire la Misura di Memorizzazione del Livello di Picco

La modalità Memorizzazione del Livello di Picco registra i valori di input massimo e minimo del picco di onda. Il tempo di risposta della Memorizzazione del Livello di Picco è 10us.



Per utilizzare la modalità Memorizzazione del Livello di Picco, premere il pulsante P-HOLD per abilitare la modalità Memorizzazione del Livello di Picco nelle misure ca o cc. In questa modalità, premere il pulsante P-HOLD per selezionare il valore di picco MAX o MIN. Premere per > 1 sec per disabilitare la modalità Memorizzazione del Livello di Picco.

Per l'onda quadra, utilizzare la modalità memorizzazione del livello di picco per le misure cc.

Eseguire Misura ca+cc

Quando il segnale di input è una combinazione ca e cc. Ca su cc o cc su ca, il tester è in grado di visualizzare un valore combinato ca+cc (rms) Definire come segue:

$$(AC + DC) V_{rms} = \sqrt{ACV^2 + DCV^2}$$

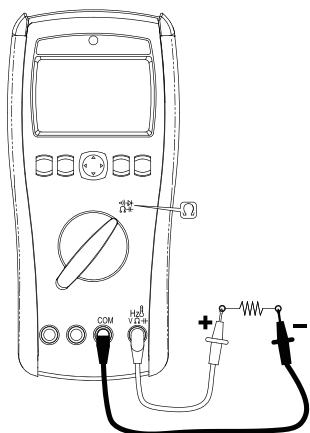
$$(AC + DC) A_{rms} = \sqrt{ACA^2 + DCA^2}$$

Per utilizzare la funzione ca+cc, ruotare l'interruttore rotante e arrestarlo in posizione DCV, DCmV o A, poi premere il pulsante di funzione (rosso) per selezionare la funzione di misura.

Misurare la resistenza

⚠ ATTENZIONE

Al fine di evitare possibili danni al tester o alle apparecchiature che si stanno testando, disconnettere l'alimentazione del circuito e scaricare tutti i condensatori ad alta tensione prima di misurare la resistenza.



Le gamme di misura della resistenza sono 400Ω, 4kΩ, 40kΩ, 400kΩ, 4MΩ, e 40MΩ.

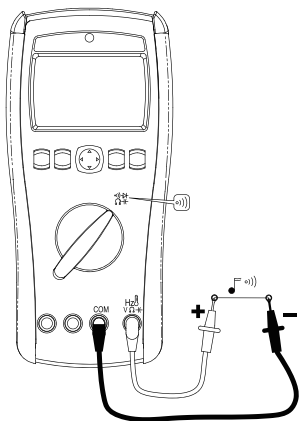
I conduttori di prova possono aggiungere un errore da 0,1 Ω a 0,2Ω alle misure di resistenza. Per verificare i conduttori, toccare insieme le punte della sonda e leggere la resistenza dei conduttori. Per maggiore sicurezza, si può utilizzare il modo relativo (A) per sottrarre automaticamente questo valore.

Le letture ad alta resistenza (>10MΩ) sono suscettibili di rumore elettrico. Al fine di ridurre le letture più rumorose, inserire il modo di registrazione MAX/MIN; poi passare alla lettura della media (AVG)

Verifica della Continuità

⚠ ATTENZIONE

Al fine di evitare possibili danni al tester o alle apparecchiature che si stanno testando, disconnettere l'alimentazione del circuito e scaricare tutti i condensatori ad alta tensione prima di testare la continuità.



La verifica di continuità è caratterizzata da un cicalino che suona fino a che il circuito non è completo. Il cicalino consente verifiche rapide della continuità senza guardare il display.

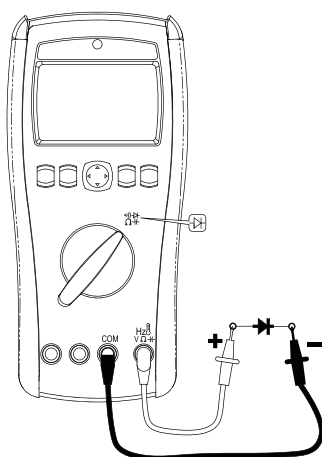
Il cicalino suona quando la resistenza misurata è inferiore alla soglia. Si può impostare la soglia in modalità impostazioni. La soglia di continuità è per default 30Ω.

Per utilizzare la verifica della continuità, ruotare l'interruttore rotante nella posizione di resistenza, poi premere il pulsante funzione (rosso) per selezionare il modo di misura.

Verifica dei Diodi

⚠ ATTENZIONE

Al fine di evitare possibili danni al tester o all'apparecchiatura che si sta testando, disconnettere la potenza del circuito e scaricare tutti i condensatori ad alta tensione prima di testare i diodi.



Utilizzare la funzione diodi per verificare diodi, transistor, raddrizzatori a semiconduttore controllato (SCR) e altri dispositivi a semiconduttori. Questa funzione verifica una giunzione a semiconduttore inviando una corrente attraverso la giunzione, misurando quindi la caduta di tensione della giunzione stessa. Una buona giunzione al silicio cade fra 0,5V e 0,8V.

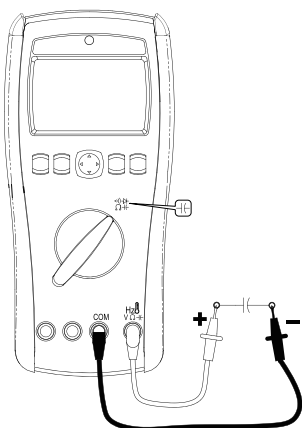
Per letture a polarizzazione diretta su qualunque componente semiconduttore, porre il conduttore di prova rosso sul morsetto positivo del componente e posizionare il conduttore nero sul morsetto negativo del componente. In un circuito, un buon iodo dovrebbe produrre ancora una lettura a polarizzazione diretta fra 0,5V e 0,8V.

Per utilizzare la funzione diodi, ruotare l'interruttore rotante nella posizione di resistenza, poi premere il pulsante funzione (rosso) per selezionare il modo di misura.

Misurare la Capacitanza

⚠ ATTENZIONE

Al fine di evitare possibili danni al tester o alle apparecchiature che si stanno testando, disconnettere l'alimentazione del circuito e scaricare tutti i condensatori ad alta tensione prima di misurare la capacitance. Utilizzare la funzione tensione per confermare che il condensatore è scarico.

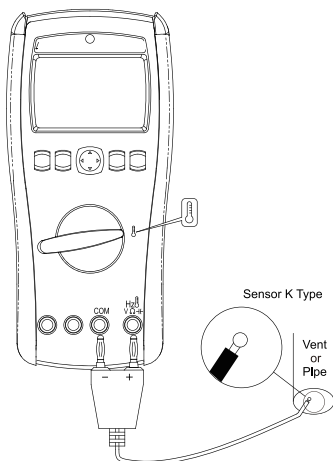


Le gamme di misura della capacitance sono 40nF, 400nF, 4uF, 40uF, 400uF, 4mF e 40mF.

Al fine di migliorare la precisione di misure inferiori a 1000nF, si può utilizzare la modalità relativa (A) per sottrarre la capacitance residua dei conduttori.

Per utilizzare la misura della capacitance, ruotare l'interruttore rotante nella posizione di resistenza, poi premere il pulsante funzione (rosso) per selezionare il modo di misura.

Misurare la Temperatura



Il tester misura la temperatura di una termocoppia di Tipo K. Si può premere il pulsante funzione (rosso) per scegliere i gradi Celsius (°C) o i gradi Fahrenheit (°F).

Le gamme del display sono da -200°C a +1200°C e da -328°F a +2192°F.

Letture fuori da queste gamme indicano "OL" sul display. Il display indica "OL" anche quando non è connessa alcuna termocoppia.

Per utilizzare la misura della temperatura, ruotare l'interruttore rotante nella posizione di temperatura, poi premere il pulsante funzione (rosso) per selezionare il modo di misura.

Auto-Hold

Quando si misura, è possibile premere il pulsante A-HOLD per avviare il modo Auto-Hold. In questa modalità, il tester mantiene la lettura e la mostra sul display secondario.

Se la differenza fra la nuova lettura e quella mantenuta è superiore a 5d (modo digitale 3%), e anche la nuova lettura è stabile, il tester mantiene una nuova lettura sul display secondario.

Quando la lettura è inferiore al limite di Auto-Hold, o la lettura è OL, il modo Auto-Hold non funziona.

Funzione	Limite
V, A, LoZ, Hz, Cap	1 % della gamma
Altro	Nessun Limite

Per uscire dalla modalità Auto-Hold premere nuovamente il pulsante A-HOLD. Se non si vuole utilizzare la modalità Auto-Hold, è possibile disabilitarla nel modo impostazioni. Quando la modalità Auto-Hold è disabilitata, il modo hold non aggiornerà alcuna nuova lettura.

Registrazione Max/Min

Quando si misura, è possibile registrare il valore massimo, minimo e di media delle letture.

Per utilizzare la modalità registrazione max/min, spostare il cursore di lampeggiamento del menù in posizione MAX, MIN o AVG, e premere il pulsante ENTER per inserire la modalità. In questa modalità, il tester registra ogni dato per confrontare i valori massimo e minimo. Inoltre, il tester calcola la media delle letture.

Si può spostare il cursore lampeggiante del menù sulla posizione MAX, MIN o AVG, e premere il pulsante ENTER per selezionare il risultato sul display secondario.

Quando è in funzione la modalità di registrazione max/min, premere il pulsante A-HOLD se si vuole mettere la registrazione in pausa. Premere nuovamente per continuare.

Relativo A

Quando si misura, si può utilizzare il modo relativo (A) per sottrarre lo sfasamento. Per utilizzare la modalità relativa (A), spostare il cursore di lampeggiamento del menù in posizione A, e premere il pulsante ENTER per inserire la modalità. In questa modalità, il tester mantiene la lettura attuale come riferimento e la mostra sul display secondario. La modalità relativa (A) sottrae il riferimento da ogni lettura e mostra i risultati sul display principale.

In modalità relativa (A), la gamma minima è la gamma relativa (A). Per esempio: Le gamme di misura della resistenza sono 400Ω, 4kQ, 40kQ, 400kQ, 4MQ, e 40MQ. Se si utilizza la modalità relativa (A) in gamma 4kQ, la gamma minima è la gamma 4kQ. Si può utilizzare la gamma da 4kQ a 40MQ, ma non si può cambiare a 400Ω. Premere il pulsante CANCEL per uscire dalla modalità relativa (A).

Relativo %

Quando si misura, si può utilizzare il modo relativo (%) per calcolare il valore percentuale relativo. Il valore relativo di percentuale è definito qui di seguito:

$$\text{Relative \%} = [(\text{Reading} - \text{Ref}) \div \text{Ref}] \times 100.0\%$$

Per utilizzare la modalità relativa (%), spostare il cursore di lampeggiamento del menù in posizione %, e premere il pulsante ENTER per inserire la modalità. In questa modalità, il tester mantiene la lettura attuale come riferimento e la mostra sul display secondario. La modalità relativa (%) calcola il valore percentuale relativo da ogni lettura e mostra i risultati sul display principale. Premere il pulsante CANCEL per uscire dalla modalità relativa (%).

Salva/Carica Memoria

Quando si misura, è possibile salvare le letture nella memoria e caricarle dalla memoria stessa. Il tester può salvare in memoria un massimo di 1000 dati. La quantità di dati registrati è indicata sul display secondario.

Per utilizzare la modalità salva/carica memoria, spostare il cursore di lampeggiamento del menù in posizione MEM, e premere il pulsante ENTER per inserire la modalità. In questa modalità, si può operare con le opzioni seguenti:

Opzioni di Memoria	
A-SAVE	Si può operare nella modalità Auto-Save per il salvataggio automatico della nuova lettura. Quando si utilizzano sonde per misurare una nuova lettura, il tester la salverà automaticamente. In alcuni casi, la modalità Auto-Save non funzionerà. Per esempio, se la lettura è simile al limite (fare riferimento ad Auto-Hold), o se la lettura è OL. Premere il pulsante ENTER per avviare la modalità Auto-Save, premere il pulsante CANCEL per uscire.
SAVE	Premere il pulsante ENTER per salvare in memoria una nuova lettura.
LOAD	Si possono esaminare dati dalla memoria premendo il pulsante ENTER. Premere il pulsante UP o DOWN per selezionare i dati. Premere il pulsante CANCEL ritornare.
CLR	Premere il pulsante ENTER per cancellare tutti i dati dalla memoria.
MAX	Premere il pulsante ENTER per esaminare i dati max. dalla memoria.
MIN	Premere il pulsante ENTER per esaminare i dati min. dalla memoria.

Premere il pulsante CANCEL per uscire dalla save/load.

Registro Dati

E' possibile registrare a lungo in memoria varie letture e poi analizzarle e stampare un grafico. Il tester può salvare in memoria un massimo di 40.000 dati. La quantità di dati registrati è indicata sul display secondario.

Il tempo rimanente può essere impostato fra 1 e 600 secondi. L'errore del timer è inferiore a 3 secondi l'ora.

Per utilizzare il registro dei dati), spostare il cursore di lampeggiamento del menù in posizione LOG e premere il pulsante ENTER per inserire la modalità. In questa modalità, si può operare con le opzioni seguenti:

Opzioni Registro Dati	
SAVE	Premere il pulsante ENTER per avviare il registro dati. Il registro registra regolarmente a intervalli regolari. Premere il pulsante ENTER per mettere in pausa il registro dati, premere nuovamente per proseguire. Per arrestare il registro dati, premere il pulsante CANCEL .
LOAD	Si possono esaminare dati dalla memoria premendo il pulsante ENTER . Premere il pulsante UP o DOWN per selezionare i dati. Premere il pulsante CANCEL ritornare.
CLR	Premere il pulsante ENTER per cancellare tutti i dati dalla memoria.
RATE	E' possibile impostare la velocità di registrazione del registro. Premere il pulsante UP o DOWN per selezionare la velocità. Premere il pulsante CANCEL ritornare.
MAX	Premere il pulsante ENTER per esaminare i dati max. dalla memoria.
MIN	Premere il pulsante ENTER per esaminare i dati min. dalla memoria.

Premere il pulsante CANCEL per uscire dal registro dati).

Spegnimento Automatico (APO)

Se non si azionano l'interruttore rotante o i pulsanti per un tempo specifico, il tester si spegnerà automaticamente per risparmiare l'alimentazione delle batterie. Il timer default di Spegnimento Automatico è di 10 minuti. In modo impostazioni è possibile modificare il timer di Spegnimento Automatico.

Retroilluminazione

La retroilluminazione si accende automaticamente in un ambiente scuro. Il modo retroilluminazione è auto per default. In modo impostazioni è possibile modificare il timer della retroilluminazione.

Cicalino

Il tester è munito di un cicalino da 2kHz . Premere un pulsante valido Un beep Premere un pulsante non valido Due beep, Il cicalino può essere attivato o disattivato in modo impostazioni. Non si può però disattivare il cicalino in verifica di continuità.

Risoluzione del Display

Questo tester ha due risoluzioni di display : risoluzione normale (modalità digit 3%) e alta risoluzione (modalità digit 4%).

Per default è impostata la risoluzione normale Si può impostare la risoluzione in modalità impostazioni.

Impostazioni

Per utilizzare la modalità impostazioni tester, spostare il cursore di lampeggiamento del menù in posizione SETUP, e premere il pulsante ENTER per inserire la funzione. Premere il pulsante UP o DOWN per selezionare l'elemento; premere LEFT o RIGHT per selezionare le opzioni. Una volta completate le impostazioni, premere il pulsante CANCEL per uscire dal modo impostazioni.

Opzioni Impostazioni	
APO	Timer APO: Da 1min a 30min, oppure OFF
b.Lit	Modo retroilluminazione Auto, ON oppure OFF
bBEEP	Cicalino ON oppure OFF
A.Hold	Modalità Auto-Hold ON oppure OFF
Cntin	Soglia di continuità: Da 10Ω a 50Ω
diGit	Digit display: Lo oppure Hi
TEMP	Unità default di temperatura °C / °F
RESET	Premere ENTER per resettare tutte le opzioni di impostazione.

Comunicazioni IR

E' possibile utilizzare il link di comunicazione IR (infrarossi) e il software WinDMM per trasferire i dati in tempo reale del tester al PC. Inoltre, il tester consente all'utente di connettersi alla memoria interna e di connettersi successivamente al computer per il download.

Per informazioni dettagliate, fare riferimento alla Guida all'Installazione WinDMM o all'aiuto on-line.



Il tester utilizza la tecnologia Bluetooth a bassa energia (VLE) V4.0 senza file per trasferire in tempo reale la lettura e i dati memorizzati. La gamma di comunicazione all'aria aperta è fino a 10m.

[Scaricare l'applicazione KPS Link" attraverso il Codice QR seguente. Accendere la funzione Bluetooth del tester e aprire "KPS Link" per connettere DMM. L'icona Bluetooth del tester si congelerà su LCD dopo che si è stabilita con successo la connessione.](#)

Manutenzione

Verificare il funzionamento del tester misurando una tensione conosciuta. In caso di dubbi, fare eseguire manutenzione al tester. Non cercare di riparare questo tester. Non contiene parti su cui l'utente possa eseguire manutenzione. Le riparazioni o la manutenzione devono essere esclusivamente eseguite da personale qualificato. Al fine di mantenere la miglior precisione, calibrare il tester una volta l'anno.

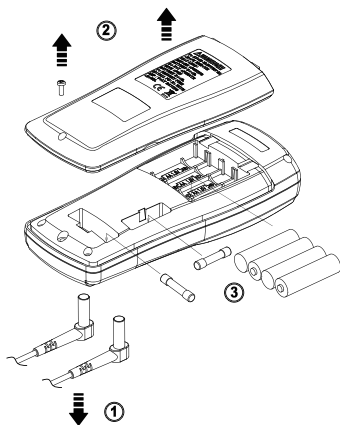
Pulizia

Strofinare periodicamente la scatola con un panno asciutto e detergente. Non utilizzare abrasivi o solventi.

Sostituire Batterie & Fusibili

⚠️ ⚠️ AVVERTENZA

- Rimuovere i conduttori di prova prima di aprire la posta della batteria o la scatola del tester.
- Sostituire il fusibile non appena compare l'indicatore (FUSE).
- Sostituire solo il fusibile esploso con il valore appropriato come specificato nel presente manuale.



Tipo di Batteria:
4 x 1,5V CEI LR6 o dimensione AA

Tipo Fusibile1:
Fusibile 440mA, 1000V IR 10kA

Tipo Fusibile2:
Fusibile 11A, 1000V IR 20kA

Quando sul display appare l'indicazione di batteria quasi scarica, sostituire le batterie al più presto. Per risparmiare l'alimentazione delle batterie, è possibile disabilitare la retroilluminazione e il cicalino in modo impostazioni.

Specifiche Generali

Tensione MAX fra ogni Morsetto e la Terra: 1000Vrms

Protezione Fusibili per input mA: Fusibile 440mA, 1000V IR 10kA

Protezione Fusibili per input A: Fusibile 11A, 1000V IR 20kA

Display 4.000/40.000 conteggi, fuori gamma al 110%.

Indicazione Fuori Gamma OL

Velocità di Misura 10 campioni al secondo

Requisiti di Potenza: 4 x 1.5V CEI LR6 o dimensione AA Tipo Fusibile1:

Durata di Vita della Batteria:

50 ore, tipica con alcalina (con retroilluminazione spenta).

Ambiente di Funzionamento:

Da -10°C a 30°C (< 85% RH),

Da 30°C a 40°C (< 75% RH),

Da 40°C a 50°C (< 45% RH),

Temperatura di Stoccaggio:

Da -20°C a 60°C, da 0% Umidità Relativa a 80% Umidità Relativa (batterie non montate)

Coefficiente di Temperatura:

0,1 x (Precisione Specificata) / °C, < 18°C o > 28°C

Altitudine di Funzionamento: 6561,7ft / 2000m

Ciclo di Calibratura: 1 volta l'anno

Peso: 465g batteria compresa.

Dimensioni (H x W x L) : 52 x 83 x 188 (mm) con fondina.

Comunicazioni RF: Banda 2,4 GHz ISM, aria paerta10m

Sicurezza: Conforme a EN 61010-1

CAT IV 600V, CAT III 1000V

CAT	Campo di Applicazione
I	Circuiti non connessi alla rete principali
II	Circuite connessi direttamente a impianti a Bassa Tensione
III	Impianti di edifici.
IV	Fonte dell'impianto a Bassa Tensione

EMC: EN 61326-1

Grado di Inquinamento: 2

Urti e Vibrazioni : Come da MIL-PRF-28800F per uno strumento di Classe 2

Protezione Cadute: 5ft (1,5m)

Utilizzo al Coperto

Specifiche Elettriche

- La precisione è \pm (% di lettura + numero di digit) da 18°C a 28°C (< 80% RH)
- Per specifiche nella modalità 4%-digit, moltiplicare il numero di digit per 10.
- Per le migliori misure, con modo relativo (A) per compensare gli sfasamenti.

Tensione

Funzione	Gamma	Precisione
CA	40,00mV [1]	Onda Sinusoidale: 0,5%+2d da 40Hz a 70Hz [3] 1,5%+2d da 70Hz a 1 kHz [3] 3,0%+2d da 1 kHz a 5kHz [3] 5,0%+2d da 5kHz a 100kHz [4][5]
	400,0mV [1]	
	4,000V	
	40,00V	
	400,0V [1]	
	1000V [2]	
CC	40,00mV	0,03%+3d
	400,0mV	0,03%+1d
	4,000V	
	40,00V	
	400,0V	
1000V		
AutoV LoZ	400,0V 1000V	2,0%+4d per ACV da 40Hz a 1kHz 2,0%+4d per DCV

[1] La larghezza di banda è da 40Hz a 5kHz

[2] La larghezza di banda è da 40Hz a 1 kHz

[3] Sotto il 10% della gamma, aggiungere 2d alla precisione.

[4] Sotto il 10% della gamma, aggiungere 10d alla precisione. < 50kHz.

[5] Sotto il 10% della gamma, aggiungere 20d alla precisione. > 50kHz.

Impedenza input: 10MQ, < 100pF

Impedenza input LoZ: 3kQ

Larghezza di Banda: Da 40Hz a 100kHz

Risoluzione Minima: 10uV

CMRR / NMRR (Modo Comune /Normale Rapporto di Reiezione) :

VAC: CMRR > 60dB a cc, 50Hz / 60Hz

VDC : CMRR > 100dB a cc, 50Hz / 60Hz

NMRR > 50dB a cc, 50Hz / 60Hz

Corrente

Funzione	Gamma	Precisione
ca	40,00mA 400,0mA 4.000A [1] 10,00A [1][2]	Onda Sinusoidale: 0,8%+2d da 40Hz a 70Hz [3] 2,0%+2d da 70Hz a 1 kHz [3] 2,0%+2d da 1kHz a 10kHz [4]
CC	40,00mA 400,0mA 4,000A	0,2%+1d
	10.00A [2]	0,2%+2d

[1] La larghezza di banda è da 40Hz a 1kHz
 [2] Quando > 10A, la precisione non è specificata e il tempo max. di misura è 30 sec.
 [3] Sotto il 10% della gamma, aggiungere 2d alla precisione.
 [4] Sotto il 10% della gamma, aggiungere 10d alla precisione.

Impedenza input: < 20. A input mA , < 0.10 a input A.

Larghezza di Banda: Da 40Hz a 10kHz

Risoluzione Minima: 10uA

Tempo Max. di Misura

1 minuto a input A , 10 minuti a input mA .

Il periodo di riposo è di 20 minuti max.

Specifiche supplementari ca e cc

Funzione	Gamma	Precisione
ca + cc	Stesso di V & A	Precisione ca + 1.0%
HFR		Precisione ca + 1,0% da 40Hz a 400Hz
Memorizzazione livello di picco		3,0%+200d da 40Hz a 1 kHz [1]

[1] Per l'onda quadra, la precisione non è specificata.

Frequenza di taglio di HFR: 800Hz (punto -3dB) Caratteristica di

Attenuazione di HFR: Circa -24dB ca Tipo di Conversione:

Il tipo di conversione ca input è accoppiato ca, risposta vero rms, calibrato all'onda sinusoidale Per l'onda non sinusoidale, aggiungere le correzioni del Fattore di Cresta seguenti:

Per Fattore di Cresta da 1,4 a 2,0, aggiungere 1,0% alla precisione ca.

Per Fattore di Cresta da 2,0 a 2,5, aggiungere 2,5% alla precisione ca.

Per Fattore di Cresta da 2,5 a 3,0, aggiungere 4,0% alla precisione ca.

Contatore di Frequenza

Gamma	Risoluzione	Precisione
400,0Hz	0,1Hz	1d (modo 3%-digit) 5d (modo 4%-digit)
4.000kHz	1Hz	
40,00kHz	10Hz	
100,0kHz	100Hz	

Frequenza Minima Percepita: 5Hz

Sensibilità del Contatore di Frequenza

Funzione	Gamma	Sensibilità (da Picco a Picco)	
		Da 5 a 10k Hz	Da 10k a 100k Hz
mV	40,00mV	10mV	10mV
	400,0mV	40mV	100mV
V	4.000V	0,4V	1V
	40,00V	4V	10V
	400,0V	40V	Non specificato
	1000V	400V	
mA	40,00mA	10mA	Non specificato
	400.mA	40mA	
A	4,000A	1A	
	10,00A	4A	

Resistenza

Gamma	Risoluzione	Precisione
400.0Ω	0,1Ω	0,2%+2d
4.000kΩ	1Ω	0,2%+1d
40.00kΩ	10Ω	
400,0kΩ	100Ω	
4.000MΩ	ikn	1,0%+1d
40,00MΩ	10kΩ	2,0%+20d

Tensione Max. Circuito Aperto: Circa. 2,5V

Corrente Max, di Test Breve: Circa. 0,1mA

Verifica della Continuità

Gamma	Risoluzione	Precisione
400,0Ω	0,1Ω	0,2%+2d

Tensione Max. Circuito Aperto : Circa. 2,5V

Corrente Max, di Test Breve: Circa. 0,1mA

Soglia di Continuità: Regolabile da 10 a 50Ω, default 30Ω.

Indicatore di Continuità: Cicalino 2kHz

Verifica dei Diodi

Gamma	Risoluzione	Precisione
2.000V	1mV	1,5%+2d

Tensione Max. Circuito Aperto: Circa. 2,5V

Corrente Max, di Test Breve: Circa. 1mA

Capacitanza

Gamma	Risoluzione	Tempo di Misura	Precisione
40.00nF	10pF	1 sec	0,9%+20d
400.0nF	100pF	1 sec	0,9%+10d
4,000uF	1nF	1 sec	0,9%+2d
40,00uF	10nF	1 sec	
400,0uF	100nF	1 sec	
4.000mF	1uF	4 sec	0,9%+10d
400,0mF	10uF	8 sec	0,9%+20d

Temperatura

Gamma	Risoluzione	Precisione
Da -200'0 a +1200'0	0,1°C	1,0%+30d
da -328°F a +2192°F	0,1°F	1,0%+54d

[1] Non comprende l'errore della sonda termocoppia.
 [2] La specifica della precisione suppone temperatura ambiente stabile a ± 1 °C. Per cambiamenti di temperatura ambiente di ± 2 °C, si applica la precisione nominale dopo 1 ora.





CANADA & USA

MGL America, Inc. ✉ cs.na@mgl-intl.com
2810 Coliseum Centre Drive, Ste. 100. Charlotte,
North Carolina 28217 USA
Tel: +1 833 533-5899

MEXICO & LATAM

MGL LATAM S.A DE CV ✉ cs.latam@mgl-intl.com
Colonia Industrial Vallejo Del. Azcapotzalco 02300,
Mexico D.F
Tel: +1 833-533-5899

EMEA

MGL Euman, S.L. ✉ cs.emea@mgl-intl.com
Parque Empresarial Argame, 33163 Morcín.
Asturias, Spain.
Tel: +34 985-08-18-70

UNITED KINGDOM

MGL GROUP U.K. LIMITED ✉ cs.uk@mgl-intl.com
14 Weller St, London, SE1 1QU, UK
Tel: +34 985-08-18-70

www.kps-intl.com



SKU Number:
KPSDMM9000BTCBINT

700019558 MAY 2021 V1
©2021 MGL International Group Limited. All rights reserved.
Specifications are subject to change without notification.